

Item description/product images



Description

Material:

Housing, steel plate.
Wheel rim, high-quality thermoplastic polyurethane.
Wheel tread, high-quality polyamide.

Version:

Housing press formed.
Double ball bearing in the castor head.
Plain bearing in wheels.

Note:

Wheel axle bolted.
Swivel and fixed castors with mounting plate.

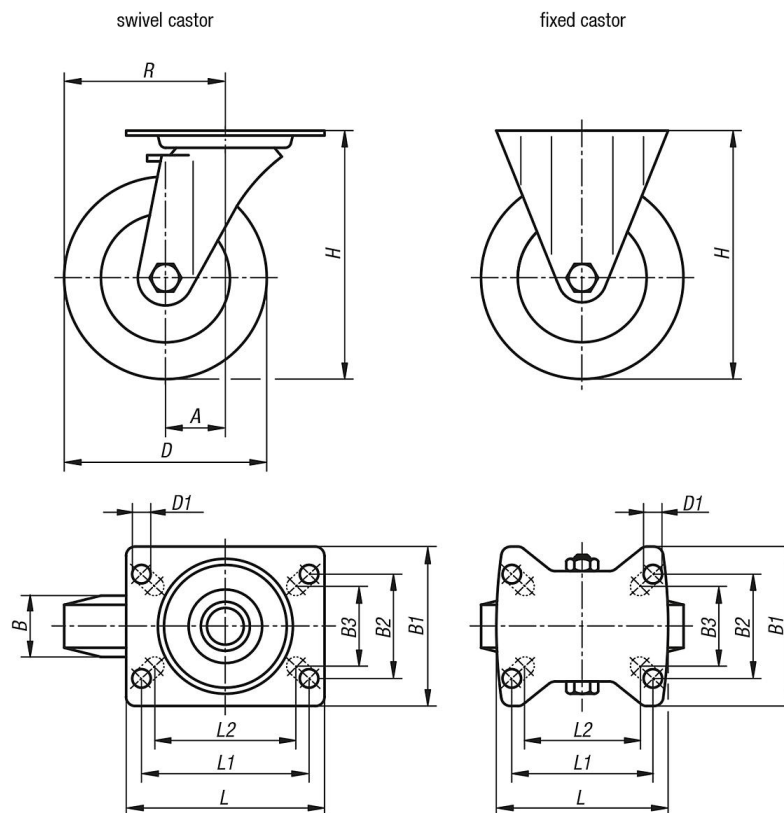
Application:

Loads can be transported with low noise and maximum ease in area's with high hygiene requirements.

Temperature range:

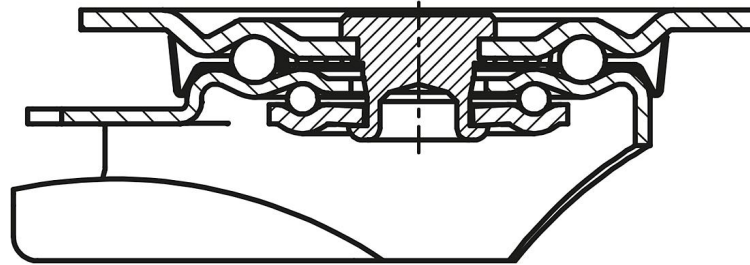
-20°C to +70°C.

Drawings



Drawings

swivel head bearing:



Overview of items

Order No.	Item	Version 1	Wheel bearing	A	B	B1	B2	B3	D	D1	H	L	L1	L2	R	Permissible load kg
95046-111000351	fixed castor	without locking system	plain bearing	-	35	85	60	55	100	9	125	100	80	76	-	200
95046-111250401	fixed castor	without locking system	plain bearing	-	40	85	60	55	125	9	150	100	80	76	-	250
95046-111600451	fixed castor	without locking system	plain bearing	-	45	110	80	75	160	11	195	140	105	-	-	400
95046-112000501	fixed castor	without locking system	plain bearing	-	50	110	80	75	200	11	235	140	105	-	-	400
95046-11100035	Swivel castor	without locking system	plain bearing	36	35	85	60	55	100	9	125	100	80	76	86	200
95046-11125040	Swivel castor	without locking system	plain bearing	40	40	85	60	55	125	9	150	100	80	76	102,5	250
95046-11160045	Swivel castor	without locking system	plain bearing	60	45	110	80	75	160	11	195	140	105	-	140	400
95046-11200050	Swivel castor	without locking system	plain bearing	65	50	110	80	75	200	11	235	140	105	-	165	400
95046-111000352	Swivel castor	with stop-fix locking system	plain bearing	36	35	85	60	55	100	9	125	100	80	76	86	200
95046-111250402	Swivel castor	with stop-fix locking system	plain bearing	40	40	85	60	55	125	9	150	100	80	76	102,5	250
95046-111600452	Swivel castor	with stop-fix locking system	plain bearing	60	45	110	80	75	160	11	195	140	105	-	140	400
95046-112000502	Swivel castor	with stop-fix locking system	plain bearing	65	50	110	80	75	200	11	235	140	105	-	165	400