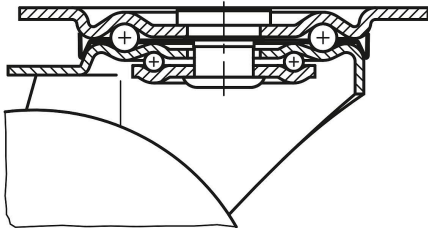




swivel head bearing



## Description

### Product description:

Aluminium profile systems are suitable for modern machine, plant and equipment construction. These castors for aluminium profiles are characterised by their flexibility, versatility and user-friendliness. The design embodies the essence of simplicity and functionality.

### Material:

Housing, steel plate.

Wheels made of thermoplastic polyurethane (TPU).

Wheels made of polyamide 6.

### Version:

Steel plate is electro zinc-plated, trivalent blue passivated and Cr6 free.

Thermoplastic polyurethane (TPU) dark grey.

Polyamide 6 silver-grey.

### Note:

Two specially developed mounting plates ensure almost universal adaptability to any aluminium profile. The standard programme includes various types of castors, such as fixed castors or swivel castors with and without brakes.

These castors are highly resistant to many aggressive chemicals.

The high-quality thermoplastic polyurethane (TPU) tread has a Shore hardness of 94A and is injection moulded onto the wheel body. The tread leaves no running marks, no contact stains and is characterised by low rolling and steering resistance and high resistance to abrasion.

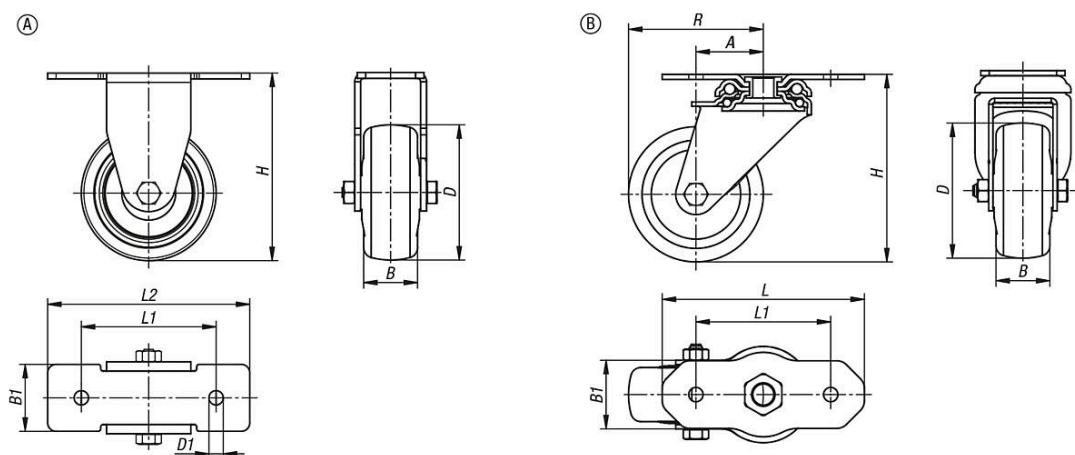
### Application:

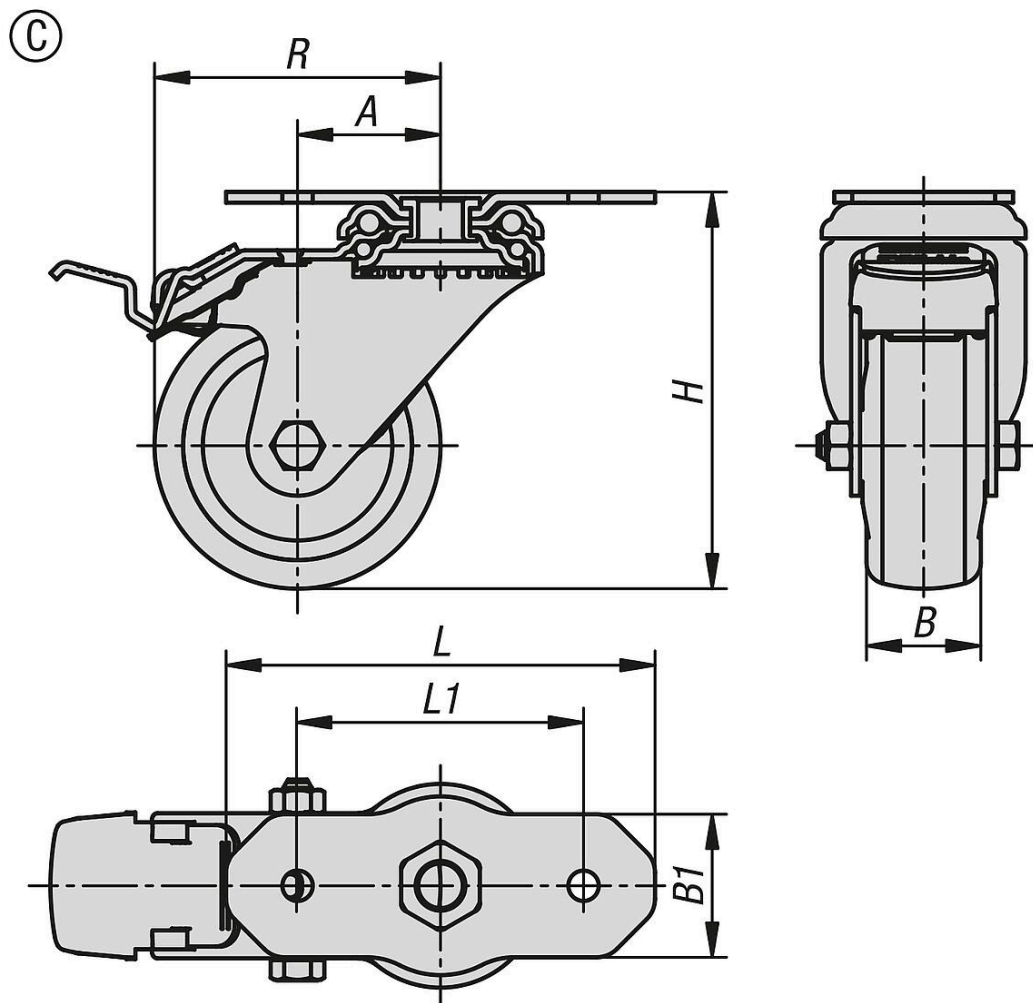
These castors with a thermoplastic polyurethane tread are used for tool trolleys, floor dollies or in hygienic areas such as the food industry.

### Temperature range:

-20 °C - +70 °C.

## Drawings





Overview of items

Order No.	Version 1	Form	A	B	B1	D	D1	H	L	L1	R	Permissible load kg	Kind of fastening	Designation
95046-15-100750251	without locking system	A	-	25	40	75	8,5	100	120	80	-	75	mounting plate	Fixed castor
95046-15-100800321	without locking system	A	-	32	40	80	8,5	111	120	80	-	120	mounting plate	Fixed castor
95046-15-101000321	without locking system	A	-	32	40	100	8,5	136	120	80	-	120	mounting plate	Fixed castor
95046-15-101250321	without locking system	A	-	32	40	125	8,5	161	120	80	-	120	mounting plate	Fixed castor
95046-15-10075025	without locking system	B	29	25	40	75	8,5	100	90	80	66,5	75	mounting plate	Swivel castor
95046-15-10080032	without locking system	B	40	32	40	80	8,5	111	120	80	80	120	mounting plate	Swivel castor
95046-15-10100032	without locking system	B	40	32	40	100	8,5	136	120	80	90	120	mounting plate	Swivel castor
95046-15-10125032	without locking system	B	40	32	40	125	8,5	161	120	80	102,5	120	mounting plate	Swivel castor
95046-15-100750252	with stop-fix locking system	C	29	25	40	75	8,5	100	90	80	66,5	75	mounting plate	Swivel castor
95046-15-100800322	with stop-fix locking system	C	40	32	40	80	8,5	111	120	80	80	120	mounting plate	Swivel castor
95046-15-101000322	with stop-fix locking system	C	40	32	40	100	8,5	136	120	80	90	120	mounting plate	Swivel castor
95046-15-101250322	with stop-fix locking system	C	40	32	40	125	8,5	161	120	80	102,5	120	mounting plate	Swivel castor

