

## Item description/product images

**Description****Material:**

Housing steel plate, trivalent blue passivated.  
Roller light brown polyurethane, Shore 92 A  
or white polyamide, Shore 80 D.

**Version:**

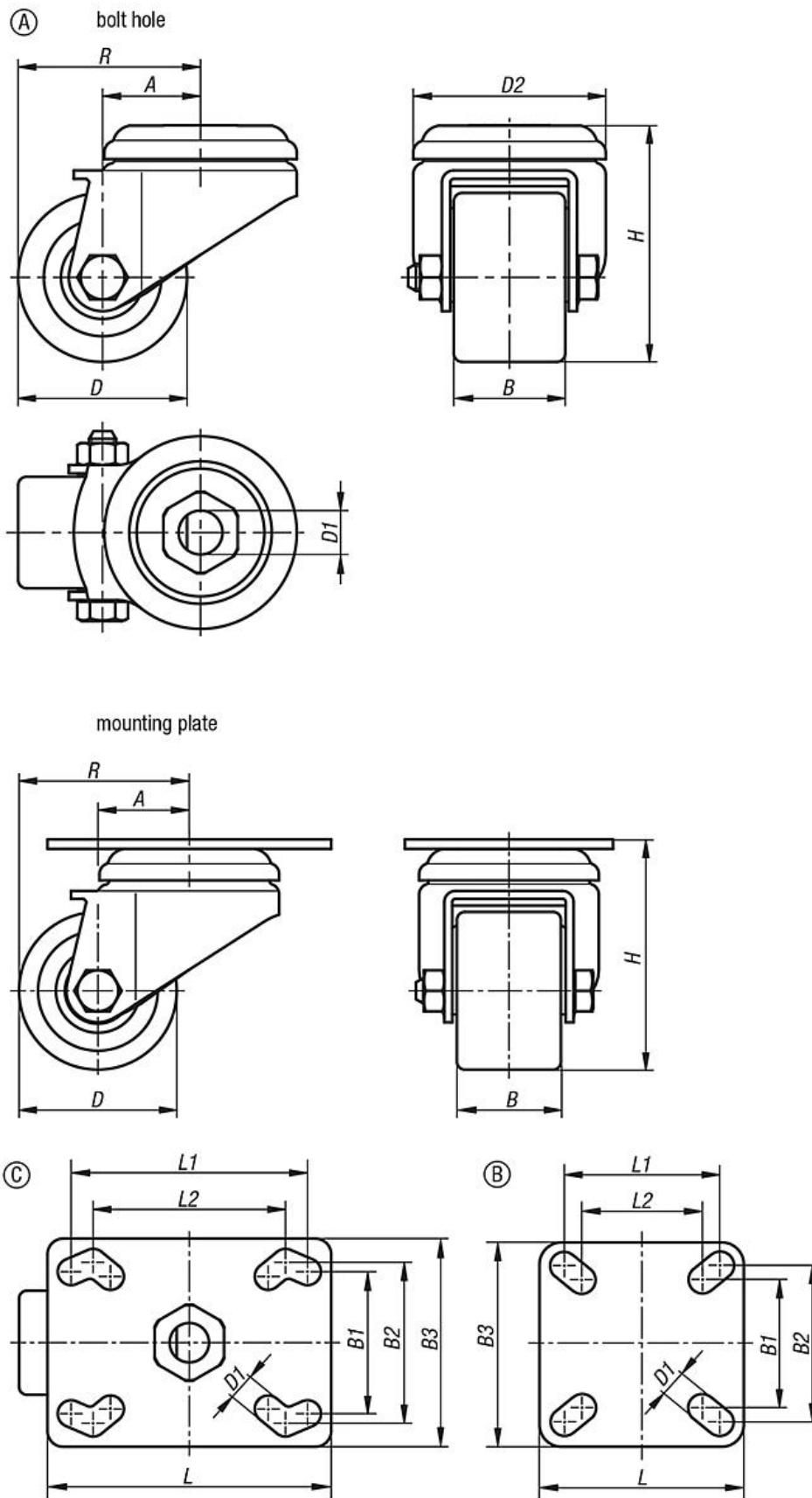
Housing press formed.  
Swivel castor housing with 2x ball bearing in the swivel head and ball shield.  
Roller with two pressed-in ball bearings.

**Note:**

Wheel axle bolted.

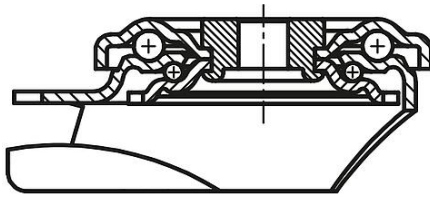
Polyurethane roller: low-noise, low rolling resistance, elastic, floor-protecting, very wear resistant, non-staining.

Polyamide roller: very low roll and pivot resistance, smooth running on smooth floors, very wear resistant.

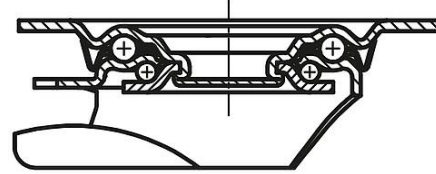


Drawings

Swivel head bearing:  
bolt hole



Swivel head bearing:  
mounting plate



Overview of items

Order No.	Form	Item	Version 1	Wheel bearing	Material roller	A	B	B1	B2	B3	D	D1	D2	H	L	L1	L2	R	Permissible load kg
95045-0352701	A	Swivel castor	without locking system	ball bearing	polyurethane	15	27	-	-	-	35	11	43	50	-	-	-	32,5	100
95045-0352802	A	Swivel castor	without locking system	ball bearing	polyamide	15	28	-	-	-	35	11	43	50	-	-	-	32,5	100
95045-0503301	A	Swivel castor	without locking system	ball bearing	polyurethane	29	33	-	-	-	50	13	57	70	-	-	-	54	150
95045-0503202	A	Swivel castor	without locking system	ball bearing	polyamide	29	32	-	-	-	50	13	57	70	-	-	-	54	150
95045-0352711	B	Swivel castor	without locking system	ball bearing	polyurethane	15	27	38	48	60	35	6,2	-	52	60	48	38	32,5	100
95045-0352812	B	Swivel castor	without locking system	ball bearing	polyamide	15	28	38	48	60	35	6,2	-	52	60	48	38	32,5	100
95045-0503311	C	Swivel castor	without locking system	ball bearing	polyurethane	29	33	45	51	66	50	8,5	-	73	90	75	61	54	150
95045-0503212	C	Swivel castor	without locking system	ball bearing	polyamide	29	32	45	51	66	50	8,5	-	73	90	75	61	54	150