

Item description/product images



Description

Material:

Thermoplastic.
Nuts and screws stainless steel.

Version:

Black.
Screws and nuts bright.

Note:

The round tube is clamped via screw.

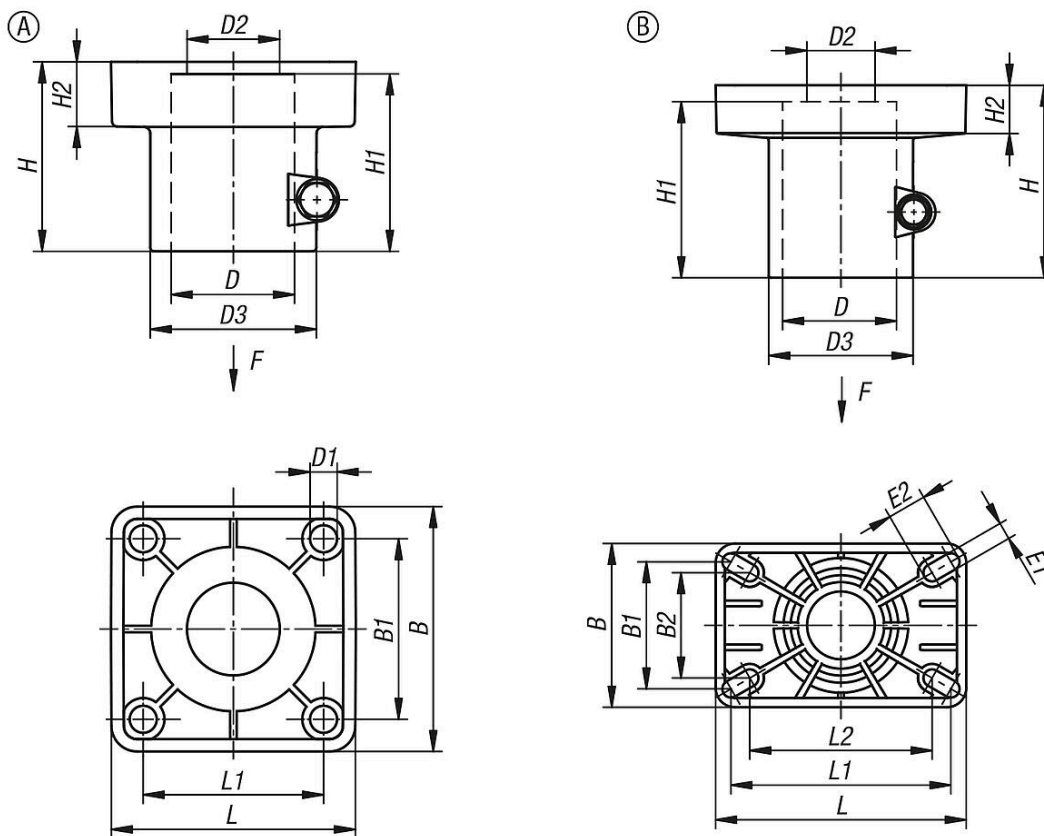
The tube clamp is mounted under the conveyor system.

Suitable for DIN EN 10220 steel tubes.

Form A: Tube clamp with hole.

Form B: Tube clamp with slotted hole.

Drawings



Overview of items

Order No.	Form	B	B1	B2	D	D1	D2	D3	E1	E2	H	H1	H2	L	L1	L2	F max. kN
29352-02-048	A	95	70	-	48,3	10,5	35	65	-	-	75	69,5	25	95	70	-	1,5
29352-02-148	B	85	65	55	48,3	-	35	75	9	20	100	90	25	130	115	95	2
29352-02-160	B	85	65	55	60,3	-	35	75	9	20	100	90	25	130	115	95	2

