

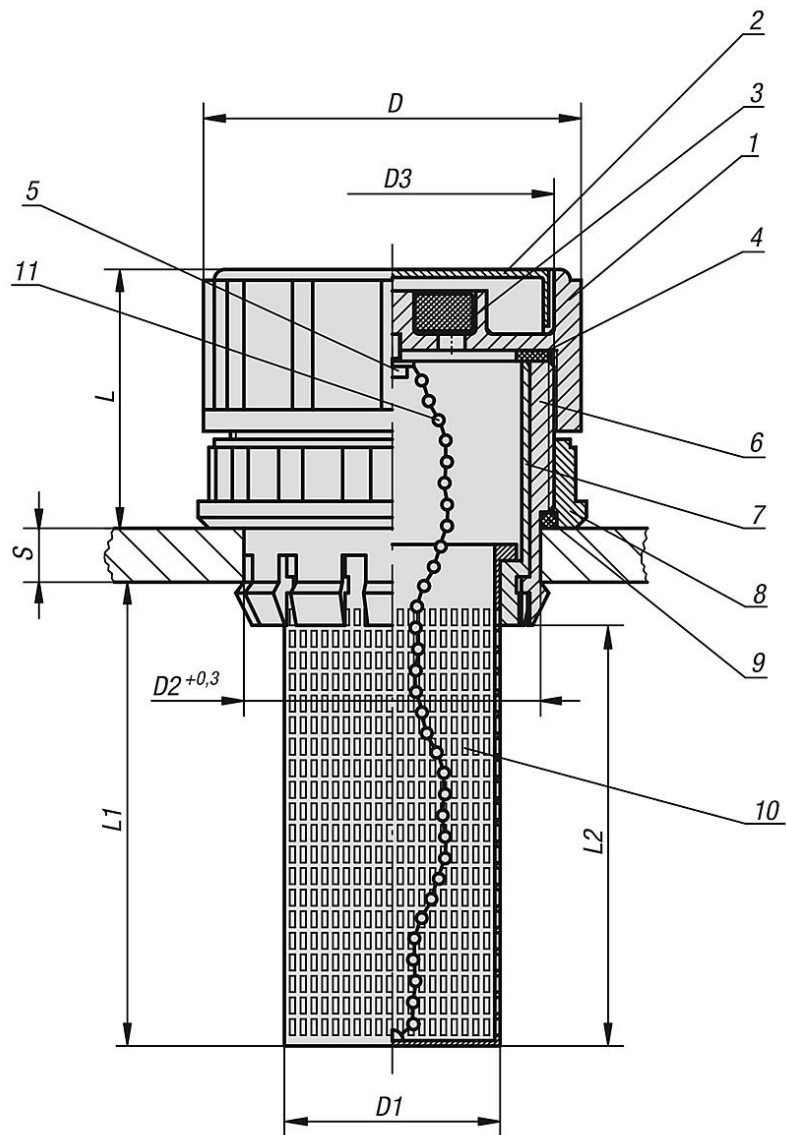
Item description/product images

**Description****Material, version:**

1. Housing black thermoplastic polyamide 66.
2. Sealing cap red thermoplastic polyamide 66.
3. Air filter polyurethane (PU foam), filter grade 40 µm.
4. Flat seal NBR.
5. Fastening screw nickel-plated steel.
6. Press-in unit black thermoplastic polyamide 66.
7. Stop sleeve black thermoplastic polyamide 66.
8. Fastening nut black polyamide 66.
9. O-ring NBR, Shore 70.
10. Filler sieve black thermoplastic polypropylene.
11. Chain stainless steel.

Note:

Temperature resistant up to 80 °C.



Overview of items

Order No.	D	D1	D2	D3	L	L1	L2	S
28070-706020	70	38	55	M60X2	46,5	88	80	2 - 8