



Description

Product description:

Concealed hinges are usually employed for functional or visual reasons. The hinge is mounted on the inside edge of the door and frame and is only visible when the door is open.

Material:

Door part and lock part die-cast zinc, steel or stainless steel 1.4301 (AISI 304 equivalent) or stainless steel 1.4401 (AISI 316 equivalent).
Frame part and pin steel or stainless steel 1.4301 (AISI 304 equivalent).

Version:

Door part and lock part die-cast zinc or electro zinc-plated steel.
Frame part and pin electro zinc-plated steel.
Door part, lock part, frame part and pin stainless steel, bright.

Note:

For on-frame doors.
Hinges not visible.
Folded edge 23 mm.
For right or left use.
Opening angle 120°.
Frame part for screwing on.
Pin has a slot incl. DIN 6799 retaining washer.
The door can be removed from the front by turning the lock part on the door part.

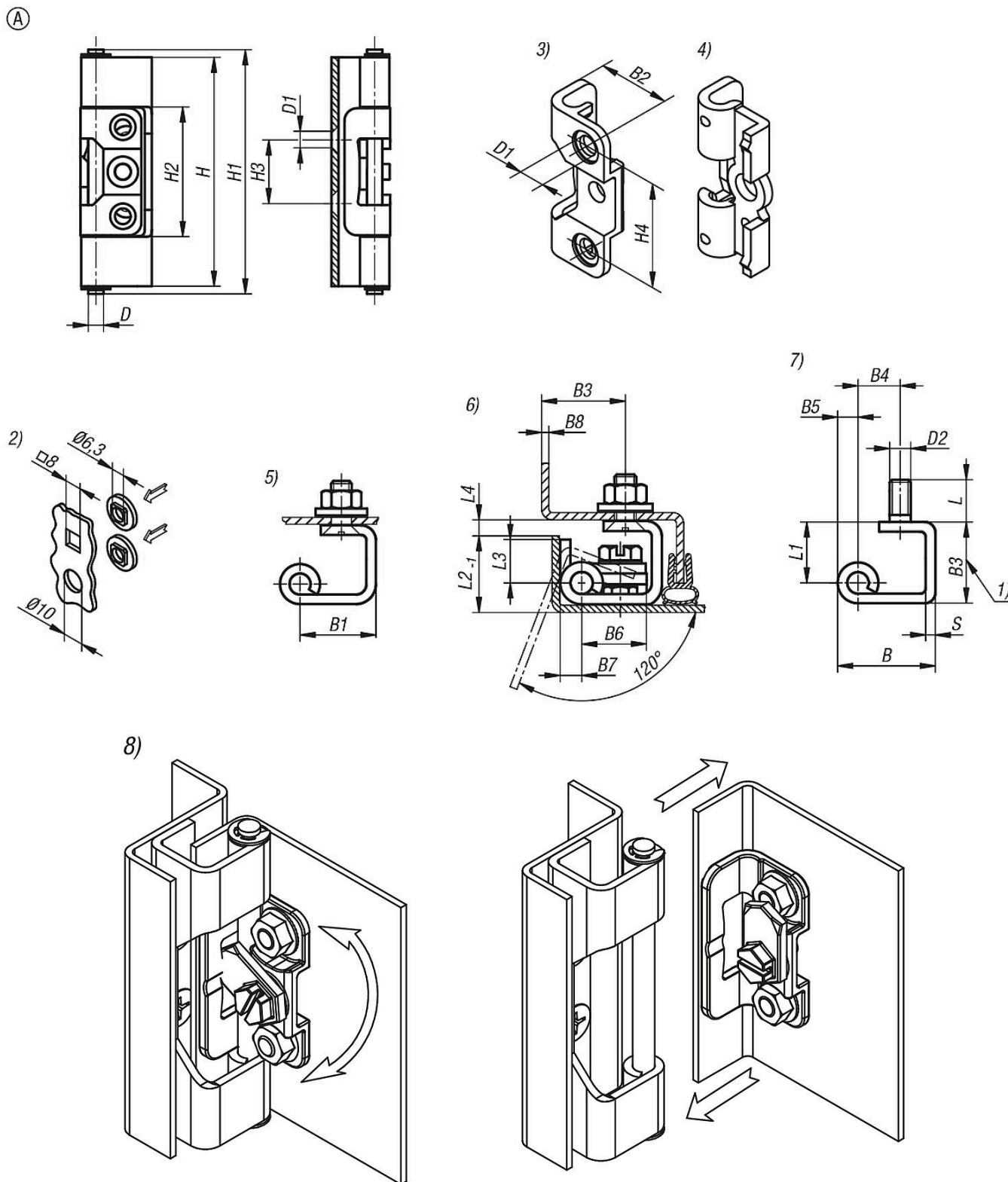
Application:

- Machine and plant construction
- Switchboxes and control housings
- Medical and laboratory technology
- Transport and conveyor systems

Drawing reference:

- 1) Folded edge
- 2) Installation instructions for the locking washer
- 3) Door part fastening type: screw-on
- 4) Door part fastening type: weld-on
- 5) With M6 countersunk hole
- 6) With M6 countersunk hole + locking washer
- 7) With M6 stud + locking washer
- 8) The door can be removed from the front by turning the lock part on the door part
- 9) Weld bead

Drawings



Overview of items

Order No.	Form	Pin material	Door part fastening	Frame part version	Pin version	Main material
27878-08-0221	A	steel	weldable	with M6 threaded pin	with slot incl. retaining washer	steel
27878-08-0121	A	steel	weldable	with countersink for M6	with slot incl. retaining washer	steel
27878-08-0120	A	steel	weldable	with countersink for M6	with slot incl. retaining washer	steel

27878-08_A Concealed hinges die-cast zinc, steel or stainless steel with lock, folded edge 23 mm, Form A



Overview of items

Order No.	Form	Pin material	Door part fastening	Frame part version	Pin version	Main material
27878-08-3211	A	steel	screw on	with M6 threaded pin	with slot incl. retaining washer	zinc
27878-08-3111	A	steel	screw on	with countersink for M6	with slot incl. retaining washer	zinc
27878-08-3110	A	steel	screw on	with countersink for M6	with slot incl. retaining washer	zinc

Order No.	B	B1	B2	B3	B4	B5	B6	B7	B8	D	D1	D2	H	H1	H2	H3	H4	L	L1	L2	L3	L4	S
27878-08-0221	28	22	-	23	12	5,55	17,9	6,1	3	6	-	M6	90	96	50	25	-	12	17	21	11,9	4	2,5-2,7
27878-08-0121	28	22	-	23	12	5,55	17,9	6,1	3	6	-	M6	90	96	50	25	-	12	17	21	11,9	4	2,5-2,7
27878-08-0120	28	22	-	23	12	5,55	17,9	6,1	3	6	-	M6	90	96	50	25	-	12	17	21	11,9	4	2,5-2,7
27878-08-3211	28	22	16,7	23	12	5,55	17,9	6,1	3	6	6,2	M6	90	96	50	25	35	12	17	21	11,9	4	2,5-2,7
27878-08-3111	28	22	16,7	23	12	5,55	17,9	6,1	3	6	6,2	M6	90	96	50	25	35	12	17	21	11,9	4	2,5-2,7
27878-08-3110	28	22	16,7	23	12	5,55	17,9	6,1	3	6	6,2	M6	90	96	50	25	35	12	17	21	11,9	4	2,5-2,7