

Item description/product images



Description

Material:

Plates, thermoplastic, glass bead reinforced.
Anti-slip plate thermoplastic elastomer.

Version:

black.

Note for ordering:

If the swivel foot plate and the threaded spindle or ball joint are to be supplied assembled, please add the suffix "assembled" to the order number for the plate and the spindle or ball joint. (e.g. 27800-1030 and 27810-060151 assembled.)

Note:

Swivel feet consist of a plate and a threaded spindle or ball joint. Any plate can be combined with any threaded spindle or ball joint. The anti-slip plate absorbs vibrations and prevents the swivel foot slipping. For matching threaded spindles see 27810. For matching ball joints see 27811.

Drawing reference:

1) From plate Ø 80

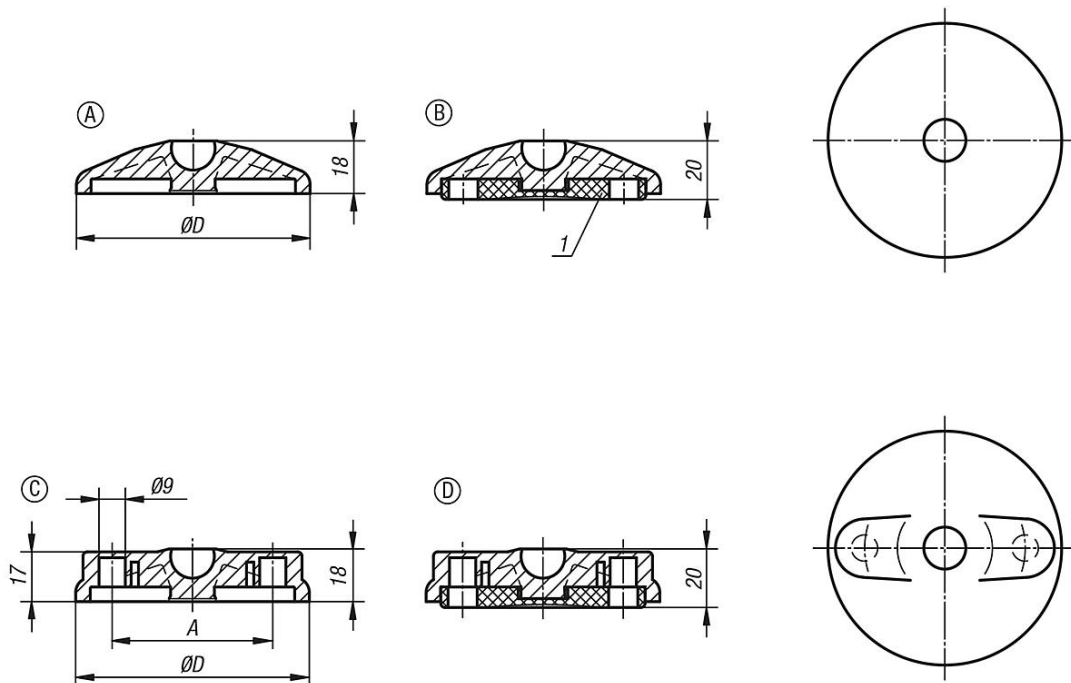
Form A without screw-on hole, without anti-slip plate

Form B without screw-on hole, with anti-slip plate

Form C with screw-on hole (closed), without anti-slip plate

Form D with screw-on hole (closed), with anti-slip plate

Drawings



Overview of items

Order No. Form A	Order No. Form B	D	Load rating max. kN
27800-1030	27800-2030	30	5
27800-1040	27800-2040	40	9

Overview of items

Order No. Form A	Order No. Form B	D	Load rating max. kN
27800-1045	27800-2045	45	9
27800-1050	27800-2050	50	9
27800-1060	27800-2060	60	9
27800-1080	27800-2080	80	9
27800-1100	27800-2100	100	9

Order No. Form C	Order No. Form D	D	A	Load rating max. kN
27800-3080	27800-4080	80	55	9
27800-3100	27800-4100	100	74	9
27800-3120	27800-4120	120	94	9