

## Item description/product images

**Description****Material:**

Steel C45 or gunmetal RG7.

**Version:**

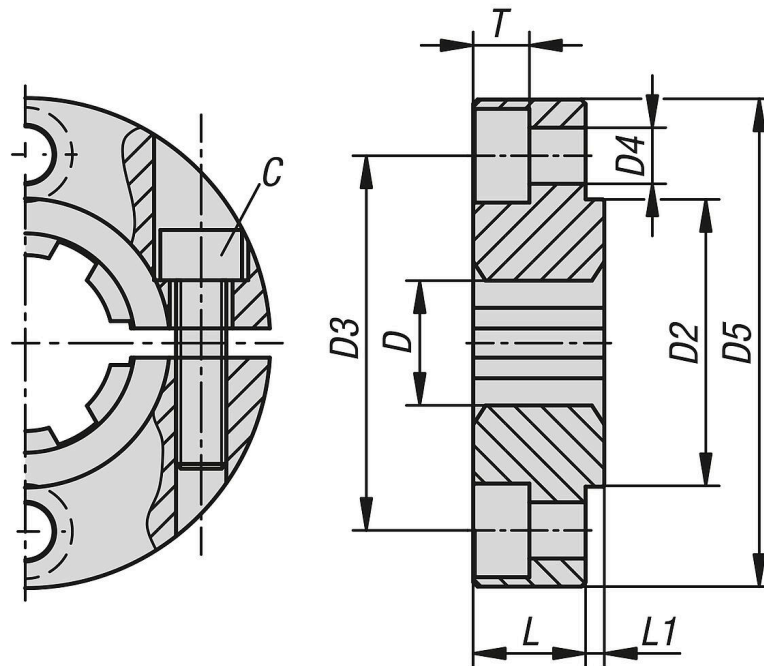
Bright.

**Note:**

Slotted shaft collars for DIN 14 splined hubs and splined shafts. For positioning and securing components in the axial alignment on the splined shaft. The shaft collars can be used as an intermediate stop or end stop to limit the movement of components. They provide a full-surface clamping force and do not damage the shaft surface. This design has through-holes that enable easy and secure attachment to a splined hub with flange.

With additional nut. This is used to adjust the inside diameter and as a lock nut.

Drawings



Overview of items

Shaft collars for DIN ISO 14 splined hubs

| Order No.      | Main material | No. of slots | C (DIN 912) | D  | D2 | D3 | D4  | D5  | L  | L1 | Profile | T   |
|----------------|---------------|--------------|-------------|----|----|----|-----|-----|----|----|---------|-----|
| 24011-05-11141 | steel         | 6            | M4x20       | 11 | 20 | 28 | 4,5 | 42  | 12 | 2  | KN11x14 | 4,6 |
| 24011-05-11142 | gunmetal      | 6            | M4x20       | 11 | 20 | 28 | 4,5 | 42  | 12 | 2  | KN11x14 | 4,6 |
| 24011-05-13161 | steel         | 6            | M4x20       | 13 | 22 | 36 | 4,5 | 50  | 12 | 2  | KN13x16 | 4,6 |
| 24011-05-13162 | gunmetal      | 6            | M4x20       | 13 | 22 | 36 | 4,5 | 50  | 12 | 2  | KN13x16 | 4,6 |
| 24011-05-16201 | steel         | 6            | M5x22       | 16 | 25 | 38 | 5,5 | 52  | 14 | 2  | KN16x20 | 5,7 |
| 24011-05-16202 | gunmetal      | 6            | M5x22       | 16 | 25 | 38 | 5,5 | 52  | 14 | 2  | KN16x20 | 5,7 |
| 24011-05-18221 | steel         | 6            | M5x22       | 18 | 30 | 40 | 5,5 | 54  | 14 | 3  | KN18x22 | 5,7 |
| 24011-05-18222 | gunmetal      | 6            | M5x22       | 18 | 30 | 40 | 5,5 | 54  | 14 | 3  | KN18x22 | 5,7 |
| 24011-05-21251 | steel         | 6            | M5x22       | 21 | 35 | 48 | 6,6 | 62  | 14 | 3  | KN21x25 | 6,8 |
| 24011-05-21252 | gunmetal      | 6            | M5x22       | 21 | 35 | 48 | 6,6 | 62  | 14 | 3  | KN21x25 | 6,8 |
| 24011-05-23281 | steel         | 6            | M6x25       | 23 | 36 | 50 | 6,6 | 64  | 15 | 3  | KN23x28 | 6,8 |
| 24011-05-23282 | gunmetal      | 6            | M6x25       | 23 | 36 | 50 | 6,6 | 64  | 15 | 3  | KN23x28 | 6,8 |
| 24011-05-26321 | steel         | 6            | M6x25       | 26 | 40 | 56 | 6,6 | 70  | 15 | 3  | KN26x32 | 6,8 |
| 24011-05-26322 | gunmetal      | 6            | M6x25       | 26 | 40 | 56 | 6,6 | 70  | 15 | 3  | KN26x32 | 6,8 |
| 24011-05-32381 | steel         | 8            | M8x30       | 32 | 50 | 65 | 9   | 82  | 18 | 3  | KN32x38 | 9   |
| 24011-05-32382 | gunmetal      | 8            | M8x30       | 32 | 50 | 65 | 9   | 82  | 18 | 3  | KN32x38 | 9   |
| 24011-05-36421 | steel         | 8            | M8x30       | 36 | 52 | 70 | 9   | 90  | 18 | 3  | KN36x42 | 9   |
| 24011-05-36422 | gunmetal      | 8            | M8x30       | 36 | 52 | 70 | 9   | 90  | 18 | 3  | KN36x42 | 9   |
| 24011-05-42481 | steel         | 8            | M8x30       | 42 | 60 | 75 | 11  | 95  | 22 | 3  | KN42x48 | 11  |
| 24011-05-42482 | gunmetal      | 8            | M8x30       | 42 | 60 | 75 | 11  | 95  | 22 | 3  | KN42x48 | 11  |
| 24011-05-46541 | steel         | 8            | M8x30       | 46 | 65 | 80 | 11  | 100 | 24 | 3  | KN46x54 | 11  |
| 24011-05-46542 | gunmetal      | 8            | M8x30       | 46 | 65 | 80 | 11  | 100 | 24 | 3  | KN46x54 | 11  |