

Item description/product images



Description

Material:

Bearing block and carriage aluminium alloy, anodised.
Guide columns stainless steel, ground.
Spindle stainless steel, rolled thread.
Guide bearing maintenance-free.
Position indicator plastic.

Version:

Radial play on guide < 0.02 mm.
No axial backlash.
Spindle self-locking, with additional lock.

Note:

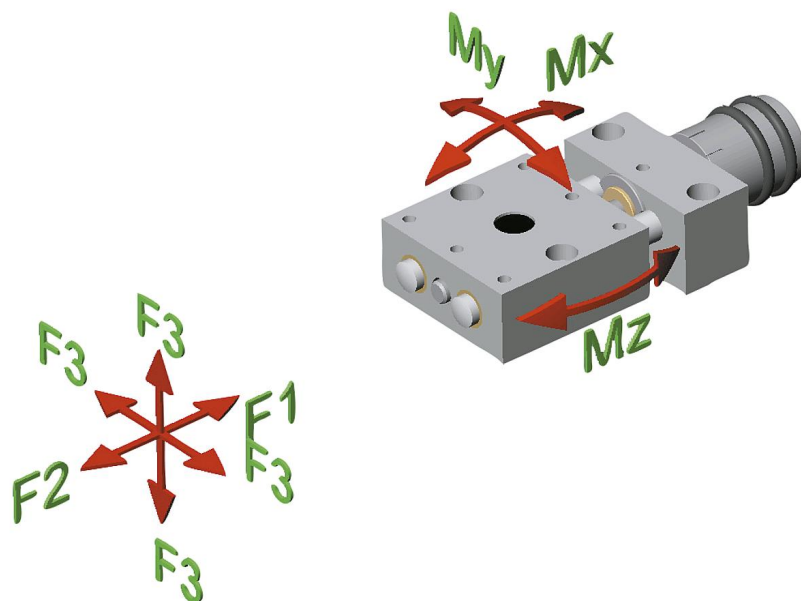
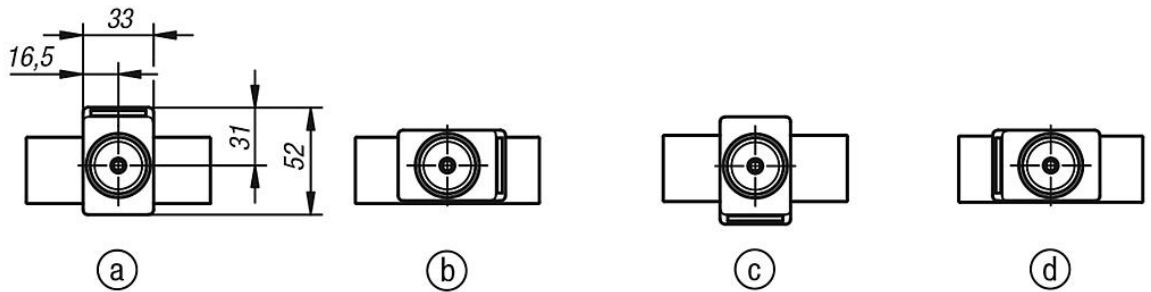
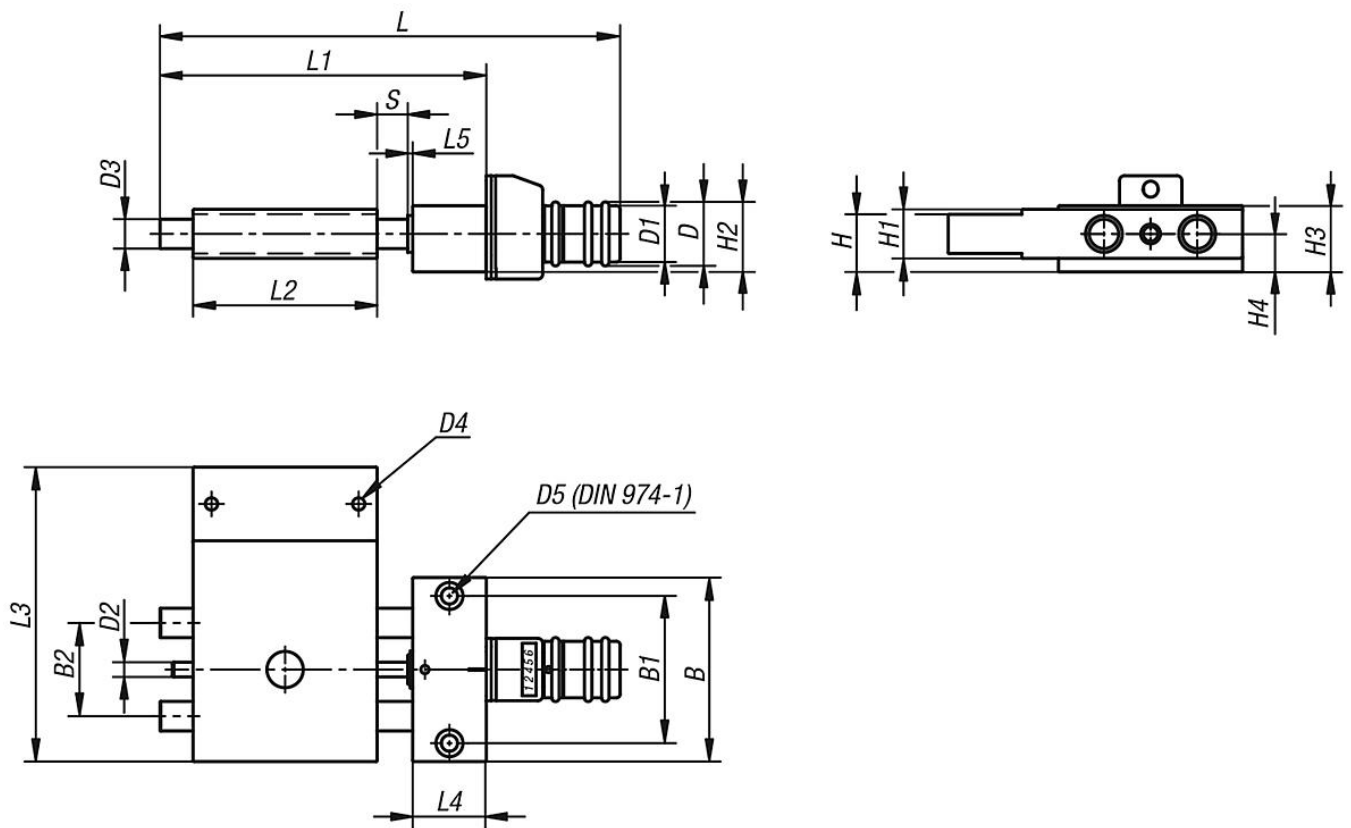
The almost play-free guides and absolutely play-free spindle enables adjustment without the need to loosen or clamp the spindle.
Electronic position indicator with 0.01 mm display accuracy and large LCD display. Reset, chain dimension and offset settings can be made via the keypad.
2 years battery life. The battery is quick and easy to replace.
The mounting position of the position indicator is set in 4 positions using one screw.
The modular design enables the cross slide to be easily combined with positioning stages, vertical stages and other accessories of the same size.

Drawing reference:

Assembly position of position indicator:

- a) top (standard)
- b) right
- c) bottom
- d) left

Drawings



Overview of items

Order No.	B	B1	B2	D	D1	D2	D3	D4	D5	H	H1	H2	H3	H4	L	L1	L2	L3	L4	L5	Travel S	F1 N	F2 N	F3 N	Mx Nm	My Nm	Mz Nm
21133-208	46	36	21	26	23	M6x1	8	M4	4	18	14	27	23	14	139	80	46	75	20	2	14	200	200	X = 39 (50)	1,9	0,9	1,9
21133-212	75	60	38	26	23	M6x1	12	M6	6	23,5	20	29	27	15,5	192	133	75	120	30	2	25	300	300	X = 58 (100)	5,5	3	5,5