

Item description/product images



Description

Material:

Steel.

Version:

electro zinc-plated.

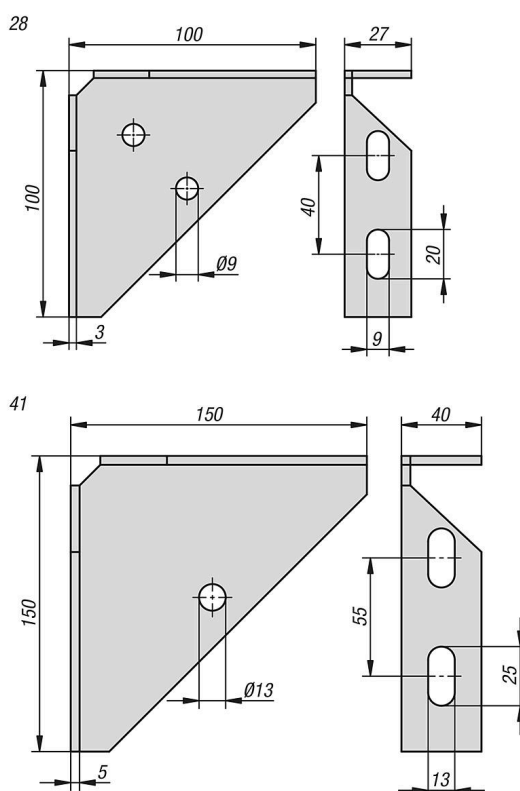
Note:

Frame bracket for connecting two mounting rails at a 90° angle.

Suitable for System 28 mounting profiles (28/15 and 28/28).

Suitable for System 41 mounting profiles (41/22 and 41/41).

Drawings



Overview of items

Frame bracket for C-profile mounting rails System 28 and 41

Order No.	Version 1
10925-66-1128	System 28
10925-66-1141	System 41