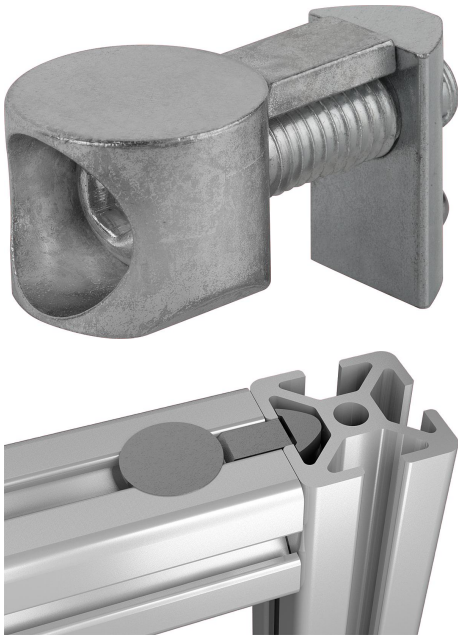


Item description/product images



Description

Material:

Connector die-cast zinc.
Screw and slot nuts steel.

Version:

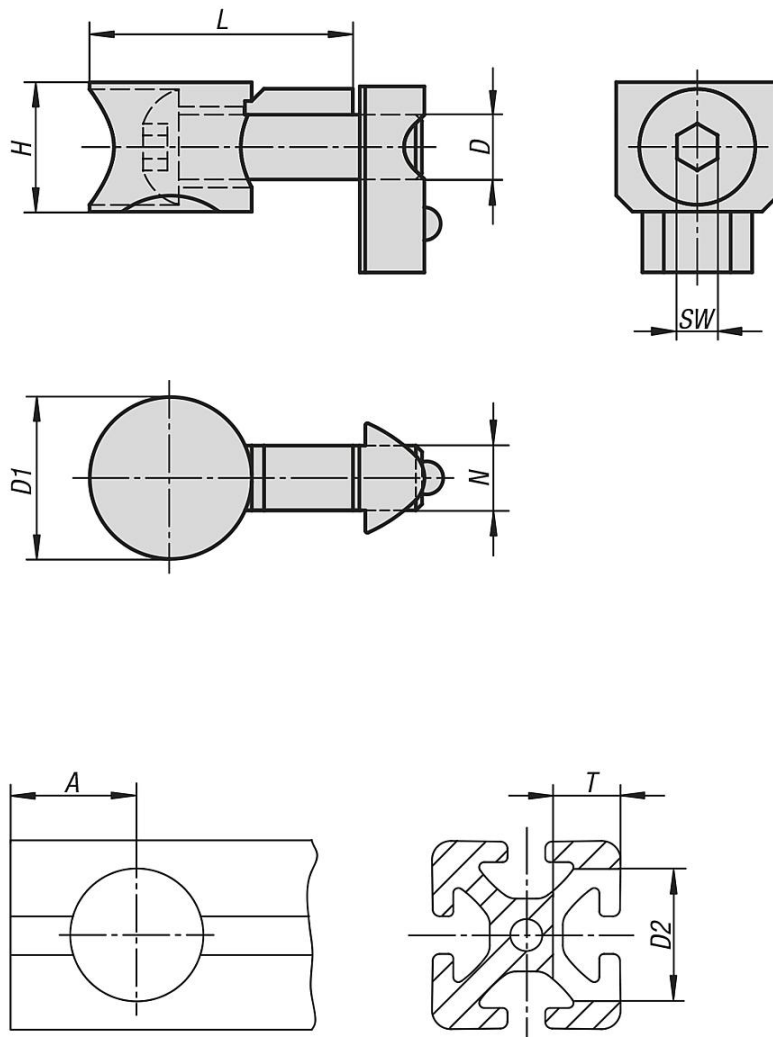
Electro zinc-plated.

Note:

The connecting sets are used for connecting two aluminium profiles at right angles. They allow a free positioning of profiles. The connection is non-rotating (the rotation lock can be broken off). For larger profiles several connecting sets can be mounted on the end for greater strength. Retrofitting into existing constructions is possible.

Low workload. The connecting set requires only one hole drilled in one end.

Drawings



Overview of items

Order No.	Type	Slot width	D	D1	H	L	N	SW	A	D2	T
10202-06	I	6	M6	16	12,5	25,2	6,2	4	15	16	12,7
10202-08	I	8	M8	20	16	33,5	8	5	20	20	16