

Item description/product images



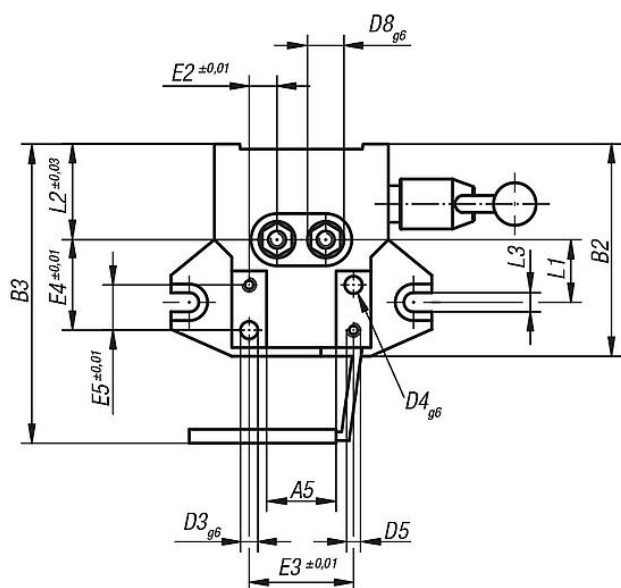
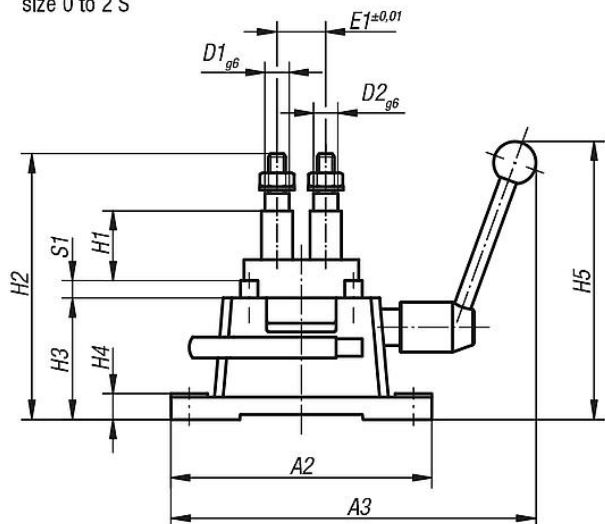
Description

Note:

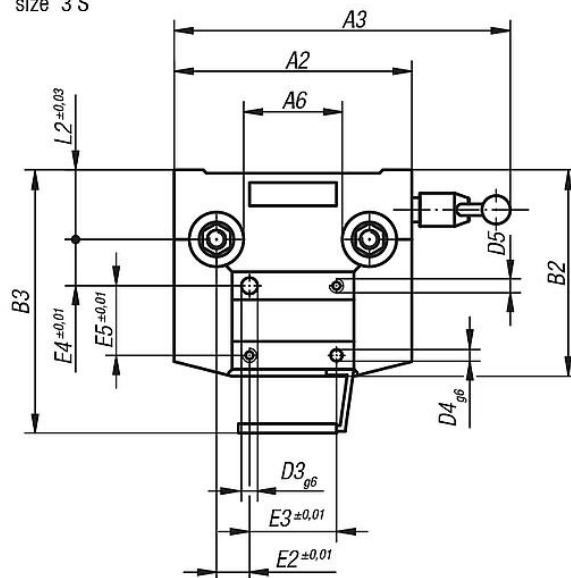
Accessories, see 08570 - 08610 and 08640 - 08710.
Force table, see technical information for DIN 6348 drilling jigs.

Drawings

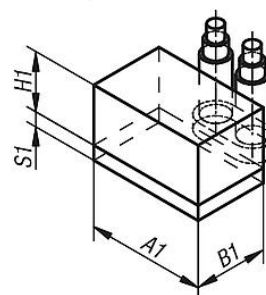
size 0 to 2 S



size 3 S



working area



The working area can be expanded:
By A1 and B1 with larger drilling plates or support plates.
By H1 with extension columns 08600 and 08610.

Overview of items

Order No.	Size	Size DIN 6348	A1	A2	A3	A5	A6	B1	B2	B3	D1	D2	D3	D4	D5	D8
08550-00	0	60x32	63	100	190	35	-	32	86	-	10	9	4	5	M4	15
08550-01	1	80x50	80	150	250	40	-	50	122	172	14	14	10	8	M6	18
08550-02	2	100x60	100	180	270	56	-	60	146	200	16	16	10	8	M6	25
08550-12	2S	100x60x115	100	180	275	50	-	60	152	200	16	16	10	8	M6	25
08550-13	3S	125x100	125	205	400	-	95	85	178	228	20	18	14	10	M6	30

Order No.	E1	E2	E3	E4	E5	H1 min.	H1 max.	H2 min.	H2 max.	H3	H4	H5	L1	L2	L3	S1	Travel at 210°
08550-00	24	13	50	40	18	3	28	73,5	100	48	9	125	31	35	-	6	42
08550-01	28	16	60	46	20	8	50	109,5	153	70	16	200	36	55	12	10	42
08550-02	50	15	80	70	40	8	60	125	180	80	18	210	50	60	15	10	42
08550-12	50	15	80	70	40	63	115	125	180	25	19	210	50	60	15	10	42
08550-13	132	28,5	75	40	60	10	62	138	196	85	22	390	-	60	-	10	42