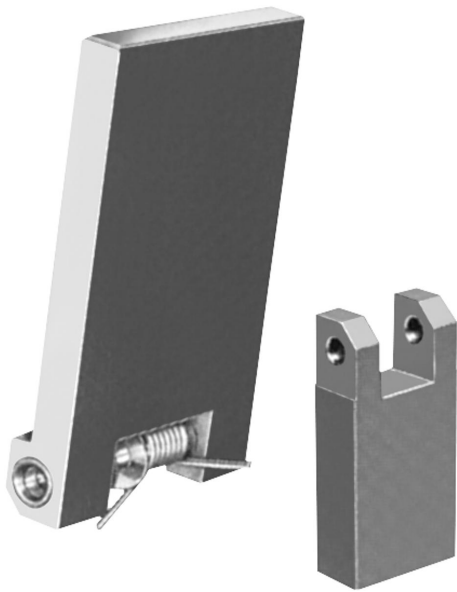


Item description/product images



Description

Material:

See 08000 - 08180

Overview of items

Order No.	drilling plate	long hinge block	shim washers and pins
08280-01	08000-01	08050-01	1 set
08280-02	08000-02	08050-02	1 set
08280-03	08000-03	08050-03	1 set