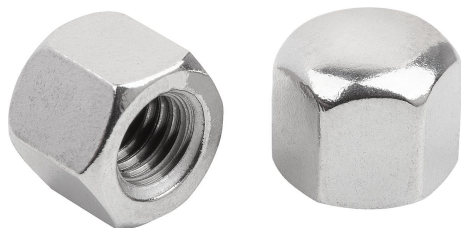


Item description/product images

**Description****Material:**

Steel, stainless steel A2 or stainless steel A4.

Version:

Steel grade 6, bright or electro zinc-plated

Stainless steel A2-70, bright

Stainless steel A4-70, bright

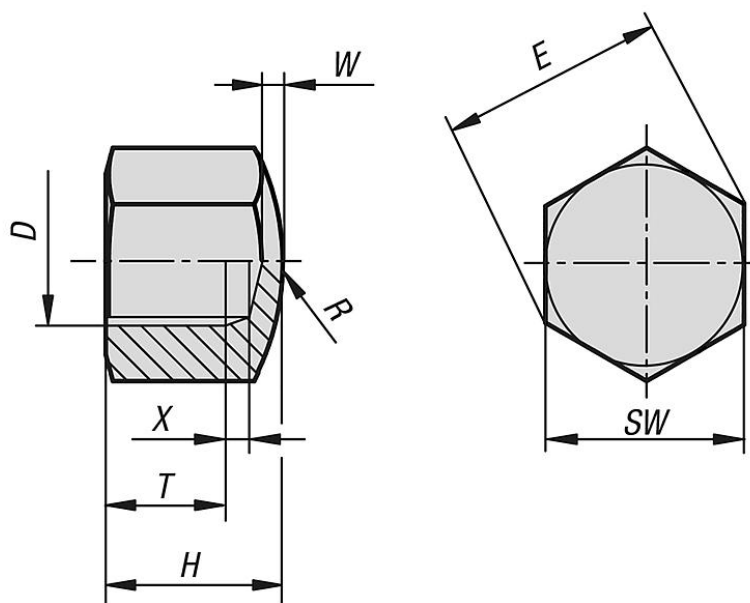
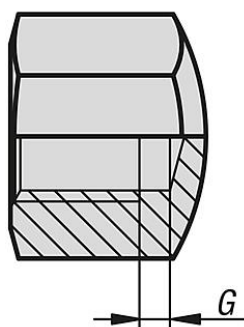
Note:

Cap nuts are mainly used for decorative screw connections. The cap nut covers and protects the thread end. They are also used to protect against sharp edges on machines, equipment, fitness equipment and wherever people or objects could be injured or damaged by an exposed thread end.

Technical data:

From size D = M10 the cap nuts have a DIN 76-1 Form D thread undercut.

Drawings


 $D \geq M10$


Overview of items

Order No.	Main material	Steel code	Surface finish body	D	T min.	H	SW	E	R	W	X	G
07280-02-104	steel	-	bright	M4	4,16	5,5	7	7,66	8	1	1,05	-
07280-02-105	steel	-	bright	M5	4,96	7	8	8,79	10	1	1,2	-
07280-02-106	steel	-	bright	M6	6,71	9	10	11,05	12	1,5	2	-
07280-02-108	steel	-	bright	M8	9,21	12	13	14,38	15	2	2,4	-
07280-02-110	steel	-	bright	M10	10,65	14	17	18,9	20	2	-	2,25
07280-02-112	steel	-	bright	M12	13,15	16	19	21,1	25	2	-	6,4
07280-02-116	steel	-	bright	M16	16,65	20	24	26,76	30	2	-	7,3
07280-02-120	steel	-	bright	M20	20,58	25	30	32,95	35	2,5	-	9,3
07280-02-124	steel	-	bright	M24	23,58	30	36	39,6	40	3	-	10,7
07280-02-130	steel	-	bright	M30	27,58	34	46	50,9	60	3	-	12,7
07280-02-204	steel	-	galvanised	M4	4,16	5,5	7	7,66	8	1	1,05	-
07280-02-205	steel	-	galvanised	M5	4,96	7	8	8,79	10	1	1,2	-
07280-02-206	steel	-	galvanised	M6	6,71	9	10	11,05	12	1,5	1,5	-
07280-02-208	steel	-	galvanised	M8	9,21	12	13	14,38	15	2	1,87	-
07280-02-210	steel	-	galvanised	M10	10,65	14	17	18,9	20	2	-	2,25
07280-02-212	steel	-	galvanised	M12	13,15	16	19	21,1	25	2	-	6,4

Overview of items

Order No.	Main material	Steel code	Surface finish body	D	T min.	H	SW	E	R	W	X	G
07280-02-216	steel	-	galvanised	M16	16,65	20	24	26,76	30	2	-	7,3
07280-02-220	steel	-	galvanised	M20	20,58	25	30	32,95	35	2,5	-	9,3
07280-02-224	steel	-	galvanised	M24	23,58	30	36	39,6	40	3	-	10,7
07280-02-230	steel	-	galvanised	M30	27,58	34	46	50,9	60	3	-	12,7
07280-02-304	stainless steel	A2	bright	M4	4,16	5,5	7	7,66	8	1	1,05	-
07280-02-305	stainless steel	A2	bright	M5	4,96	7	8	8,79	10	1	1,2	-
07280-02-306	stainless steel	A2	bright	M6	6,71	9	10	11,05	12	1,5	1,5	-
07280-02-308	stainless steel	A2	bright	M8	9,21	12	13	14,38	15	2	1,87	-
07280-02-310	stainless steel	A2	bright	M10	10,65	14	17	18,9	20	2	-	2,25
07280-02-312	stainless steel	A2	bright	M12	13,15	16	19	21,1	25	2	-	6,4
07280-02-316	stainless steel	A2	bright	M16	16,65	20	24	26,76	30	2	-	7,3
07280-02-320	stainless steel	A2	bright	M20	20,58	25	30	32,95	35	2,5	-	9,3
07280-02-324	stainless steel	A2	bright	M24	23,58	30	36	39,6	40	3	-	10,7
07280-02-330	stainless steel	A2	bright	M30	27,58	34	46	50,9	60	3	-	12,7
07280-02-404	stainless steel	A4	bright	M4	4,16	5,5	7	7,66	8	1	1,05	-
07280-02-405	stainless steel	A4	bright	M5	4,96	7	8	8,79	10	1	1,2	-
07280-02-406	stainless steel	A4	bright	M6	6,71	9	10	11,05	12	1,5	1,5	-
07280-02-408	stainless steel	A4	bright	M8	9,21	12	13	14,38	15	2	1,87	-
07280-02-410	stainless steel	A4	bright	M10	10,65	14	17	18,9	20	2	-	2,25
07280-02-412	stainless steel	A4	bright	M12	13,15	16	19	21,1	25	2	-	6,4
07280-02-416	stainless steel	A4	bright	M16	16,65	20	24	26,76	30	2	-	7,3
07280-02-420	stainless steel	A4	bright	M20	20,58	25	30	32,95	35	2,5	-	9,3