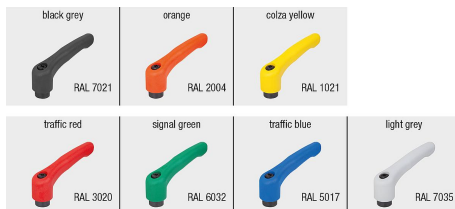


Item description/product images



lift to
disengage



Description

Product description:

The plastic clamping lever with ergonomic grip design offers a high-quality, modern appearance in combination with very pleasant haptics.

The clamping lever is made of a special high-performance plastic and is available in many standard colours.

The advantages of the clamping lever are high rigidity and strength. The light weight make it ideal for mobile applications.

Material:

High performance fibreglass reinforced thermoplastic.

Steel parts grade 5.8.

Version:

Steel parts blue-passivated.

Note:

Where $L \geq 60$ mm the thread length is always 60 mm.

Type of operation:

When not actuated, the handle is engaged in the tooth insert by a gear ring, thus allowing the thread to be fastened or released. When raised, the handle can be re-positioned and then re-engaged in the gear ring by spring force.

Application:

Machine, equipment and plant construction, rehabilitation sector.

Temperature range:

Permanent temperature max. 100 °C.

Brief use with temperatures up to 130 °C.

Advantages:

Seven colour variants.

On request:

Other screw sizes, screw lengths and special versions.

Length "H1" optionally available in other lengths for an additional charge.

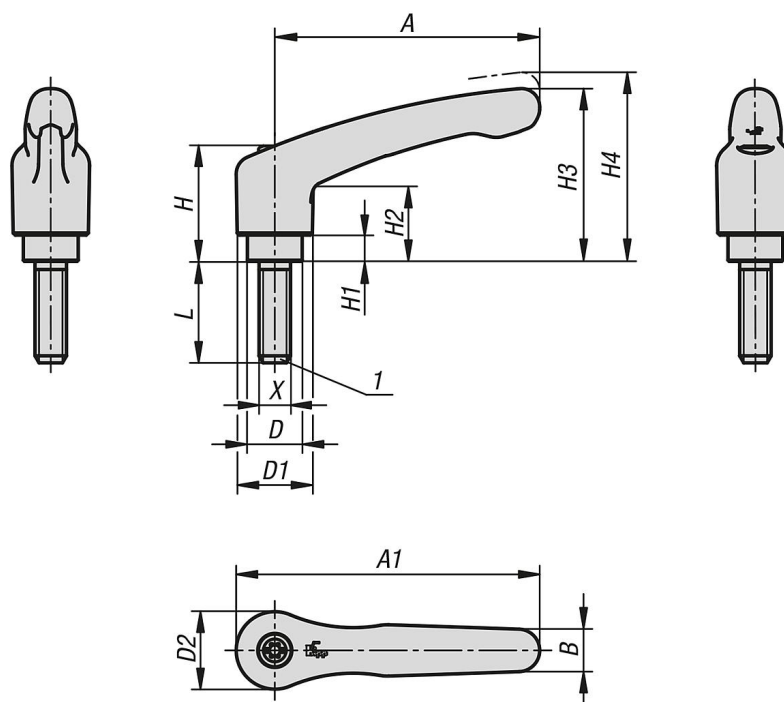
High temperature black-grey plastic.

Permanent operating temperature acc. to IEC 216 150 °C - 160 °C max.

Brief use with temperatures up to 250 °C.

Drawing reference:

1) flat point DIN EN ISO 4753



Overview of items

Order No.	Main colour	Main material	Size	X	D	D1	D2	H	H1	H2	H3	H4	A	A1	B	No. of teeth	L
06610-55-1051X10	black grey RAL 7021	high performance thermoplastic	1	M5	10	13,2	13,8	24,5	4	14,2	30,8	35	39,9	46,8	7,9	16	10
06610-55-1052X10	orange RAL 2004	high performance thermoplastic	1	M5	10	13,2	13,8	24,5	4	14,2	30,8	35	39,9	46,8	7,9	16	10
06610-55-10516X10	rape yellow RAL 1021	high performance thermoplastic	1	M5	10	13,2	13,8	24,5	4	14,2	30,8	35	39,9	46,8	7,9	16	10
06610-55-10584X10	red RAL 3020	high performance thermoplastic	1	M5	10	13,2	13,8	24,5	4	14,2	30,8	35	39,9	46,8	7,9	16	10
06610-55-10586X10	signal green RAL 6032	high performance thermoplastic	1	M5	10	13,2	13,8	24,5	4	14,2	30,8	35	39,9	46,8	7,9	16	10
06610-55-10587X10	traffic blue RAL 5017	high performance thermoplastic	1	M5	10	13,2	13,8	24,5	4	14,2	30,8	35	39,9	46,8	7,9	16	10
06610-55-10588X10	light grey RAL 7035	high performance thermoplastic	1	M5	10	13,2	13,8	24,5	4	14,2	30,8	35	39,9	46,8	7,9	16	10
06610-55-1051X15	black grey RAL 7021	high performance thermoplastic	1	M5	10	13,2	13,8	24,5	4	14,2	30,8	35	39,9	46,8	7,9	16	15
06610-55-1052X15	orange RAL 2004	high performance thermoplastic	1	M5	10	13,2	13,8	24,5	4	14,2	30,8	35	39,9	46,8	7,9	16	15
06610-55-10516X15	rape yellow RAL 1021	high performance thermoplastic	1	M5	10	13,2	13,8	24,5	4	14,2	30,8	35	39,9	46,8	7,9	16	15
06610-55-10584X15	red RAL 3020	high performance thermoplastic	1	M5	10	13,2	13,8	24,5	4	14,2	30,8	35	39,9	46,8	7,9	16	15
06610-55-10586X15	signal green RAL 6032	high performance thermoplastic	1	M5	10	13,2	13,8	24,5	4	14,2	30,8	35	39,9	46,8	7,9	16	15
06610-55-10587X15	traffic blue RAL 5017	high performance thermoplastic	1	M5	10	13,2	13,8	24,5	4	14,2	30,8	35	39,9	46,8	7,9	16	15
06610-55-10588X15	light grey RAL 7035	high performance thermoplastic	1	M5	10	13,2	13,8	24,5	4	14,2	30,8	35	39,9	46,8	7,9	16	15
06610-55-1051X20	black grey RAL 7021	high performance thermoplastic	1	M5	10	13,2	13,8	24,5	4	14,2	30,8	35	39,9	46,8	7,9	16	20
06610-55-1052X20	orange RAL 2004	high performance thermoplastic	1	M5	10	13,2	13,8	24,5	4	14,2	30,8	35	39,9	46,8	7,9	16	20
06610-55-10516X20	rape yellow RAL 1021	high performance thermoplastic	1	M5	10	13,2	13,8	24,5	4	14,2	30,8	35	39,9	46,8	7,9	16	20
06610-55-10584X20	red RAL 3020	high performance thermoplastic	1	M5	10	13,2	13,8	24,5	4	14,2	30,8	35	39,9	46,8	7,9	16	20
06610-55-10586X20	signal green RAL 6032	high performance thermoplastic	1	M5	10	13,2	13,8	24,5	4	14,2	30,8	35	39,9	46,8	7,9	16	20
06610-55-10587X20	traffic blue RAL 5017	high performance thermoplastic	1	M5	10	13,2	13,8	24,5	4	14,2	30,8	35	39,9	46,8	7,9	16	20
06610-55-10588X20	light grey RAL 7035	high performance thermoplastic	1	M5	10	13,2	13,8	24,5	4	14,2	30,8	35	39,9	46,8	7,9	16	20
06610-55-1051X25	black grey RAL 7021	high performance thermoplastic	1	M5	10	13,2	13,8	24,5	4	14,2	30,8	35	39,9	46,8	7,9	16	25
06610-55-1052X25	orange RAL 2004	high performance thermoplastic	1	M5	10	13,2	13,8	24,5	4	14,2	30,8	35	39,9	46,8	7,9	16	25
06610-55-10516X25	rape yellow RAL 1021	high performance thermoplastic	1	M5	10	13,2	13,8	24,5	4	14,2	30,8	35	39,9	46,8	7,9	16	25
06610-55-10584X25	red RAL 3020	high performance thermoplastic	1	M5	10	13,2	13,8	24,5	4	14,2	30,8	35	39,9	46,8	7,9	16	25
06610-55-10586X25	signal green RAL 6032	high performance thermoplastic	1	M5	10	13,2	13,8	24,5	4	14,2	30,8	35	39,9	46,8	7,9	16	25
06610-55-10587X25	traffic blue RAL 5017	high performance thermoplastic	1	M5	10	13,2	13,8	24,5	4	14,2	30,8	35	39,9	46,8	7,9	16	25
06610-55-10588X25	light grey RAL 7035	high performance thermoplastic	1	M5	10	13,2	13,8	24,5	4	14,2	30,8	35	39,9	46,8	7,9	16	25
06610-55-1051X30	black grey RAL 7021	high performance thermoplastic	1	M5	10	13,2	13,8	24,5	4	14,2	30,8	35	39,9	46,8	7,9	16	30
06610-55-1052X30	orange RAL 2004	high performance thermoplastic	1	M5	10	13,2	13,8	24,5	4	14,2	30,8	35	39,9	46,8	7,9	16	30
06610-55-10516X30	rape yellow RAL 1021	high performance thermoplastic	1	M5	10	13,2	13,8	24,5	4	14,2	30,8	35	39,9	46,8	7,9	16	30
06610-55-10584X30	red RAL 3020	high performance thermoplastic	1	M5	10	13,2	13,8	24,5	4	14,2	30,8	35	39,9	46,8	7,9	16	30
06610-55-10586X30	signal green RAL 6032	high performance thermoplastic	1	M5	10	13,2	13,8	24,5	4	14,2	30,8	35	39,9	46,8	7,9	16	30
06610-55-10587X30	traffic blue RAL 5017	high performance thermoplastic	1	M5	10	13,2	13,8	24,5	4	14,2	30,8	35	39,9	46,8	7,9	16	30

