

Item description/product images

**Description****Material:**

Crank AISi9Cu3 3.2163.

Safety cylinder grip thermoplastic PA6 and steel.

Version:

Crank black powder coated.

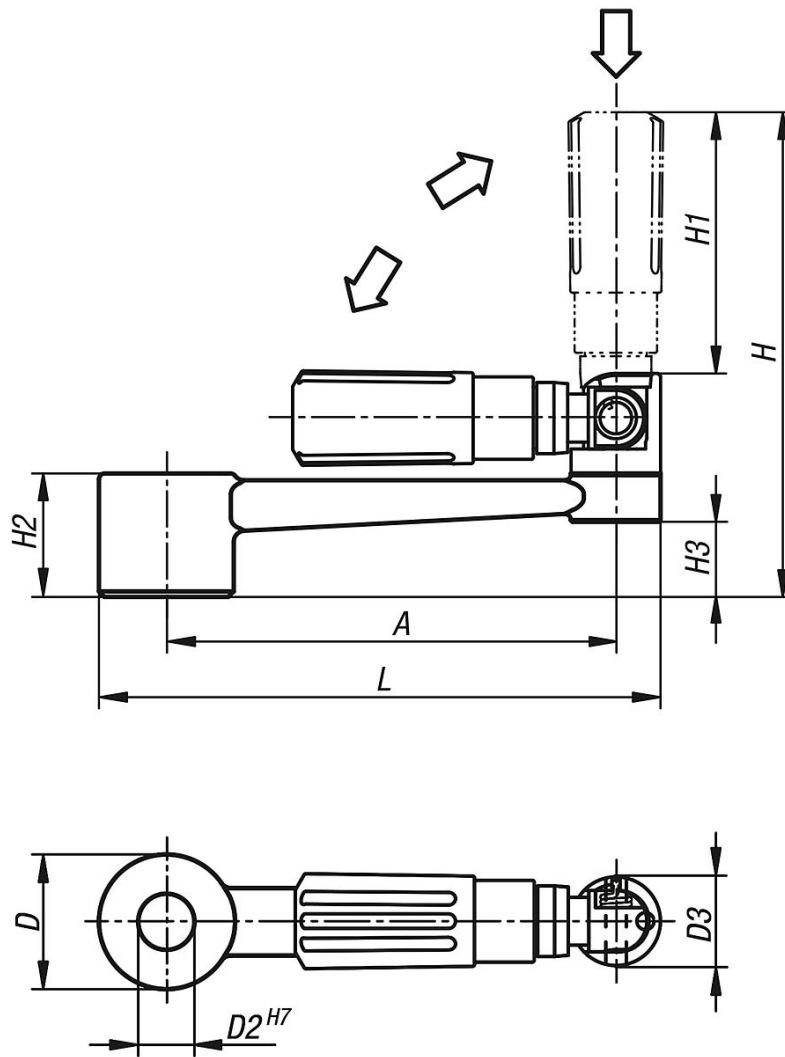
Thermoplastic black.

Steel parts black oxidised.

Note:

Similar to DIN 469.

Drawings



Overview of items

Order No.	Version 1	A	D	D2	D3	H	H1	H2	H3	L
06504-1110	reamed hole	80	24	10	16	87,5	47,5	22	13,4	100
06504-1212	reamed hole	100	28	12	20	106,9	58,4	26	16	124
06504-1314	reamed hole	125	30	14	26	139,1	82,1	28	15,8	153
06504-1417	reamed hole	160	34	17	26	143,1	82,1	32	19,6	190