

## Item description/product images



## Description

**Material:**

Steel parts grade 5.8.  
Ball knob black plastic.

**Version:**

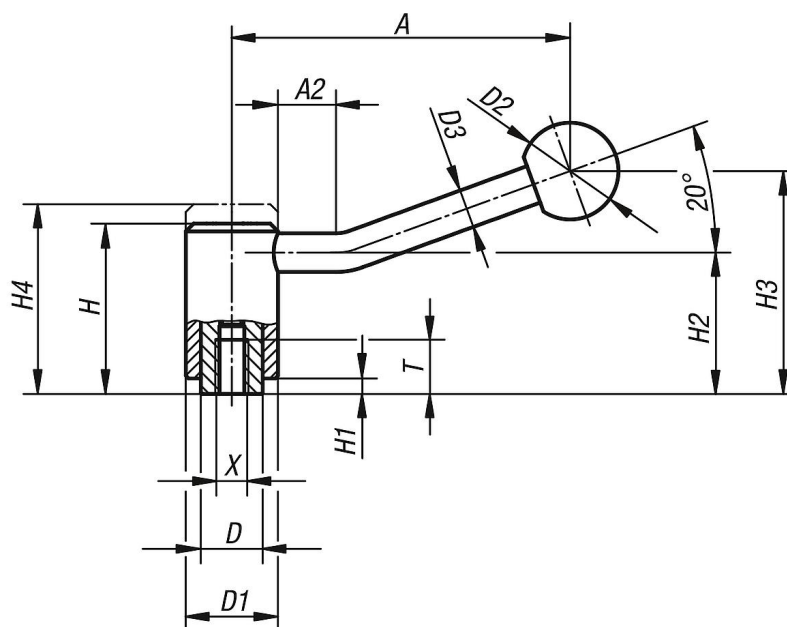
Powder-coated with fine texture, black.

**On request:**

Other threads and special versions.

Dimensions "H1" and "A" available in other lengths at extra charge.

## Drawings



## Overview of items

Order No.	Form	X	T	A=handle length	A2	D	D1	D2	D3	H	H1	H2	H3	H4	No. of teeth
06370-1081	20°	M8	14	88	15	16	24	25	10	44,5	4,5	37	58,5	49,5	22
06370-1101	20°	M10	14	88	15	16	24	25	10	44,5	4,5	37	58,5	49,5	22
06370-2101	20°	M10	17	106	15	19	28	32	12	51,5	5,5	42	68,5	57,5	24
06370-2121	20°	M12	17	106	15	19	28	32	12	51,5	5,5	42	68,5	57,5	24
06370-3121	20°	M12	23	128,5	15	23	33	32	13	58	6	47	81	65	26
06370-3161	20°	M16	23	128,5	15	23	33	32	13	58	6	47	81	65	26
06370-4161	20°	M16	27	128,5	15	30	41	32	13	68,5	7,5	56,5	89,5	76,5	36
06370-4201	20°	M20	27	128,5	15	30	41	32	13	68,5	7,5	56,5	89,5	76,5	36
06370-4241	20°	M24	27	128,5	15	30	41	32	13	68,5	7,5	56,5	89,5	76,5	36

