

## Item description/product images



## Description

**Material:**

Black thermoplastic.

Steel grade 5.8 or stainless steel 1.4305.

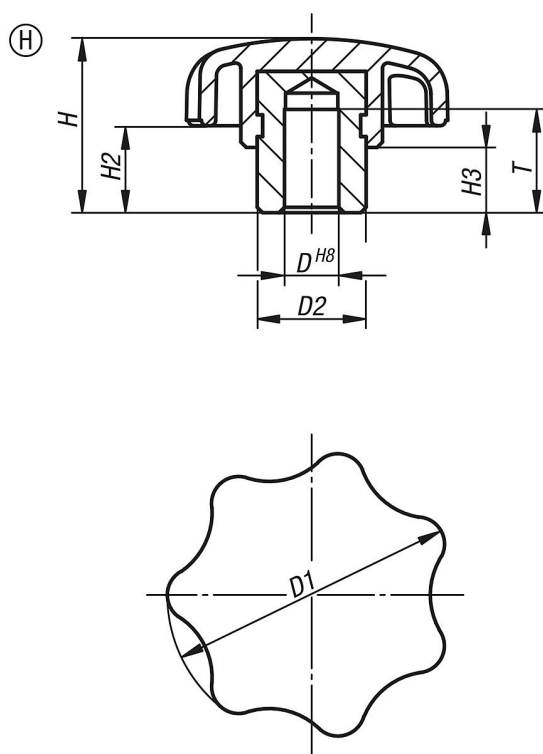
**Version:**

Metal parts trivalent blue passivated steel or bright stainless steel.

**Note:**

Star grips with projecting steel bush and blind hole or female thread are especially suited for cross pinning.

## Drawings



## Overview of items

| Order No.  | Form | Component material | D  | D1 | D2   | H  | H2 | H3  | T    |
|------------|------|--------------------|----|----|------|----|----|-----|------|
| 06210-105  | H    | steel              | 5  | 25 | 10   | 17 | 9  | 7   | 9,5  |
| 06210-106  | H    | steel              | 6  | 32 | 13,5 | 21 | 11 | 9,5 | 12,5 |
| 06210-1061 | H    | steel              | 6  | 40 | 13,5 | 25 | 13 | 10  | 12,5 |
| 06210-108  | H    | steel              | 8  | 40 | 13,5 | 25 | 13 | 10  | 12,5 |
| 06210-1081 | H    | steel              | 8  | 50 | 19   | 32 | 17 | 12  | 19,5 |
| 06210-110  | H    | steel              | 10 | 50 | 19   | 32 | 17 | 12  | 19,5 |
| 06210-1101 | H    | steel              | 10 | 63 | 19   | 37 | 18 | 12  | 19,5 |
| 06210-112  | H    | steel              | 12 | 63 | 19   | 37 | 18 | 12  | 19,5 |
| 06210-116  | H    | steel              | 16 | 63 | 23   | 40 | 21 | 15  | 24,5 |

