

## Item description/product images



## Description

**Material:**

Free-cutting steel 1.0718.

Stainless steel 1.4305.

**Version:**

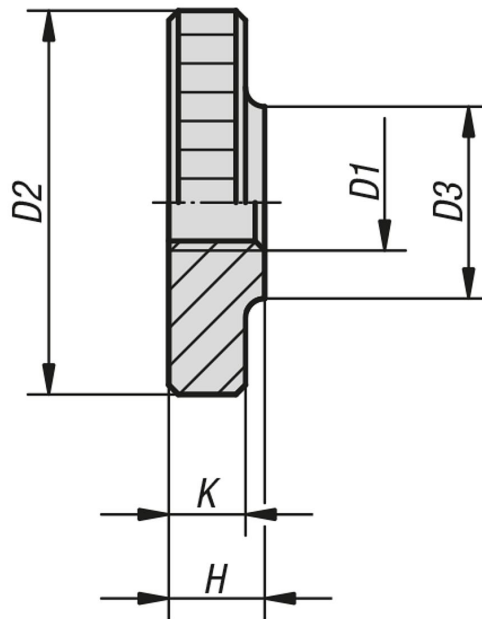
Steel black oxidised.

Stainless steel bright.

**Note:**

M12 flat knurled nuts are not included in the official standards sheet.

## Drawings



## Overview of items

Order No.	Base material	D1	D2	D3	H	K
06120-04	Free-cutting steel	M4	16	8	4	3,5
06120-05	Free-cutting steel	M5	20	10	5	4
06120-06	Free-cutting steel	M6	24	12	6	5
06120-08	Free-cutting steel	M8	30	16	8	6
06120-10	Free-cutting steel	M10	36	20	10	8
06120-12	Free-cutting steel	M12	36	20	10	8
06120-042	Stainless steel	M4	16	8	4	3,5
06120-052	Stainless steel	M5	20	10	5	4
06120-062	Stainless steel	M6	24	12	6	5
06120-082	Stainless steel	M8	30	16	8	6
06120-102	Stainless steel	M10	36	20	10	8
06120-122	Stainless steel	M12	36	20	10	8

