

Item description/product images



Description

Material:

Steel or stainless steel.

Version:

Electro zinc-plated steel.
Bright stainless steel.
Plastic handle, oil-resistant.

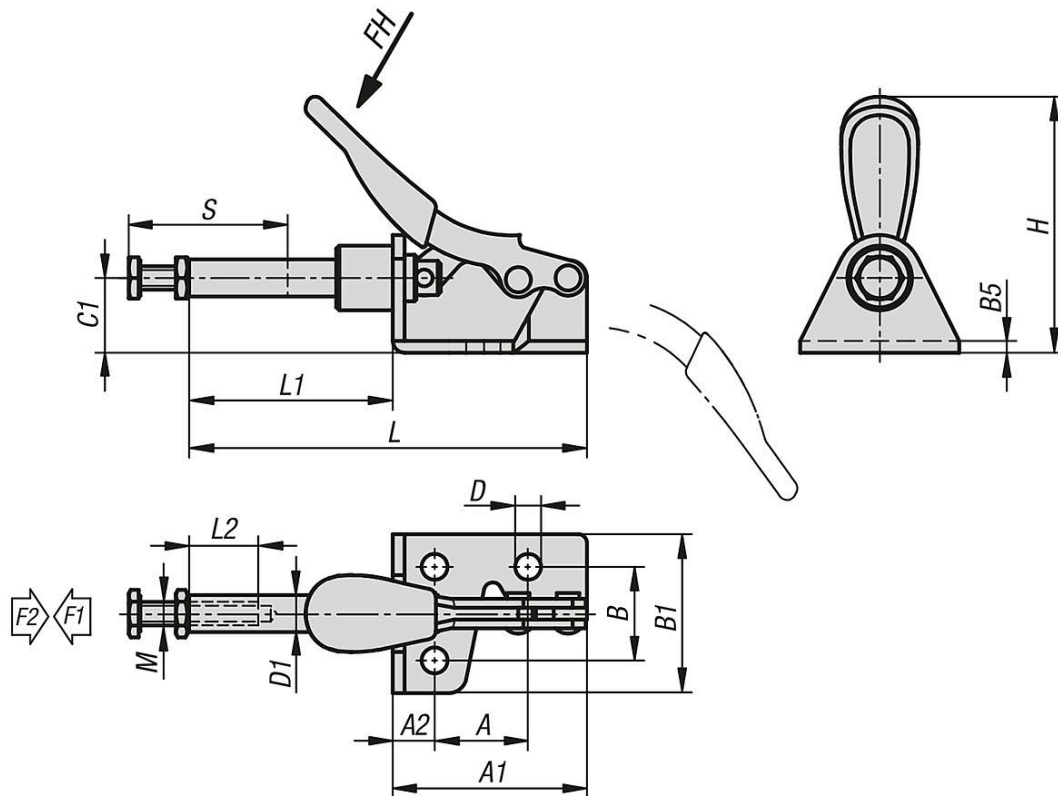
Note:

Form A clamps lock in the open and closed grip position.
They can be used for thrust or tractive clamping.

Form B clamps lock in the closed grip position.
They can thus only be used for thrust clamping.

Version K1545.00500 has a nylon thrust spindle.

Drawings



Overview of items

Order No.	Form	Main material	A	A1	A2	B	B1	B5	C1	D	D1	H	Travel S	L	L1	L2	M	Opening angle of handle	Retaining force F2 N	Hand force FH N	Clamping force F1 N
05835-01-00500	A	steel	15,9	33	7,1	15,9	27	2	12,7	4,4	6,3	43,5	17	67,9	34,9	12	M4x20	190°	500	80	500
05835-01-10500	A	stainless steel	15,9	33	7,1	15,9	27	2	12,7	4,4	6,3	43,5	17	67,9	34,9	12	M4x20	190°	500	80	500

