

Item description/product images



Description

Material:

Bar locks zinc or plastic.

Note:

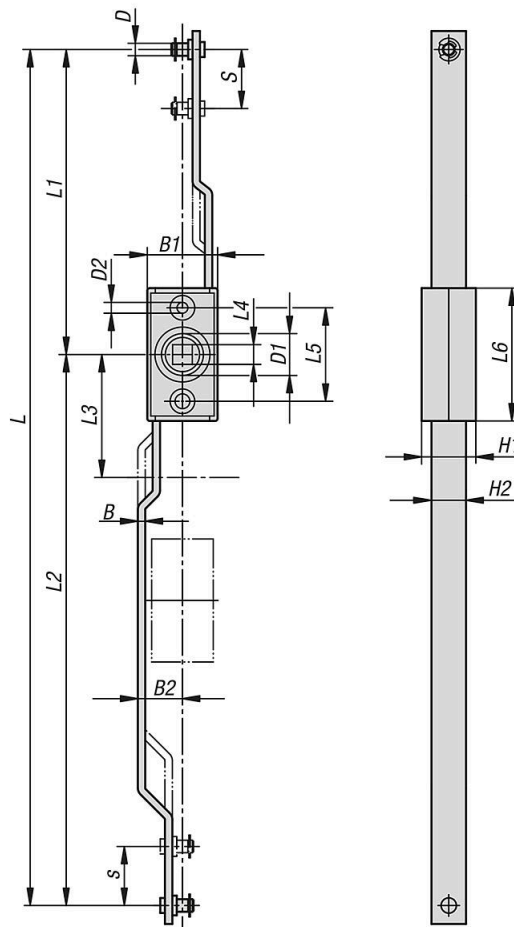
Bar locks for flat bars are used in combination with the plastic swivel grips (05600-02) to securely lock e.g. switch cabinets. Both 2-point or 3-point locking can be realised.

Accessory:

05600-02 Plastic swivel grip.

05601-11 Bushes for tongues, zinc.

Drawings



Overview of items

Order No.	Main material	B	B1	B2	D	D1	H	H1	H2	L	L1	L2	L3	L4	L5	L6	Travel S
05601-22-0348	polyamide	3	28,5	18	5	17	24	22	14	348	124	224	50	8	38	54	24
05601-22-1348	zinc	3	28,5	18	5	17	24	22	14	348	124	224	50	8	38	54	24