



Description

Product description:

Block cylinders with piston rod with internal thread are ideally suited for clamping situations where short travel with high forces is required. Block cylinders can be used as thrust or traction cylinders. Various thrust pieces can be screwed into the internal threads of the piston rods. The block cylinders ensure a high operating pressure and are easy to fasten using cap screws due to their compact, cubic housing design. A double hydraulic seal is installed in the block cylinders as standard. This creates technical advantages for the rod-side seal for low-leakage continuous operation. Metal wipers are also installed in the block cylinders as standard to prevent the ingress of swarf.

Material:

Housing and piston steel.
Seal NBR

Version:

Housing black oxidised.
Piston hardened.

Note:

Transverse forces on the block cylinders should be avoided.

If the block cylinder is mounted transversely to the cylinder axis, additional support for the block cylinder is recommended. If the block cylinder is used as a thrust cylinder, the support should be on the underside; if it is used as a traction cylinder, it should be on the rod side.

Permissible dynamic loads during the piston advance stroke must be observed. A vent port is required for the single-acting block cylinders.

Penetration of cutting and cooling fluids into the cylinder must be prevented.

Thrust pieces are not supplied.

Follow safety instructions.

Type of operation:

- Thread connection.
- O-ring flange connection.

Technical data:

Max. operating pressure: 500 bar.

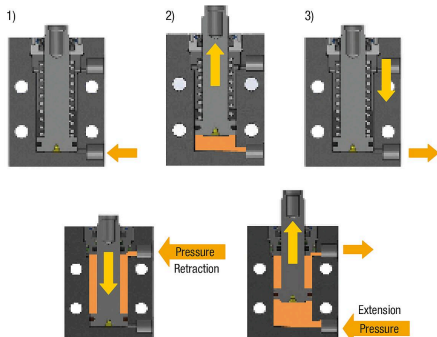
Assembly:

See mounting contour.

Advantages:

- Integrated metal wiper.
- Versatile mounting possibilities.
- Wide travel range.
- Large force range.
- Low mounting dimensions.
- Double hydraulic seals installed.

Supplied with:



2x O-rings (for flange connection operating mode) supplied.

Accessory:

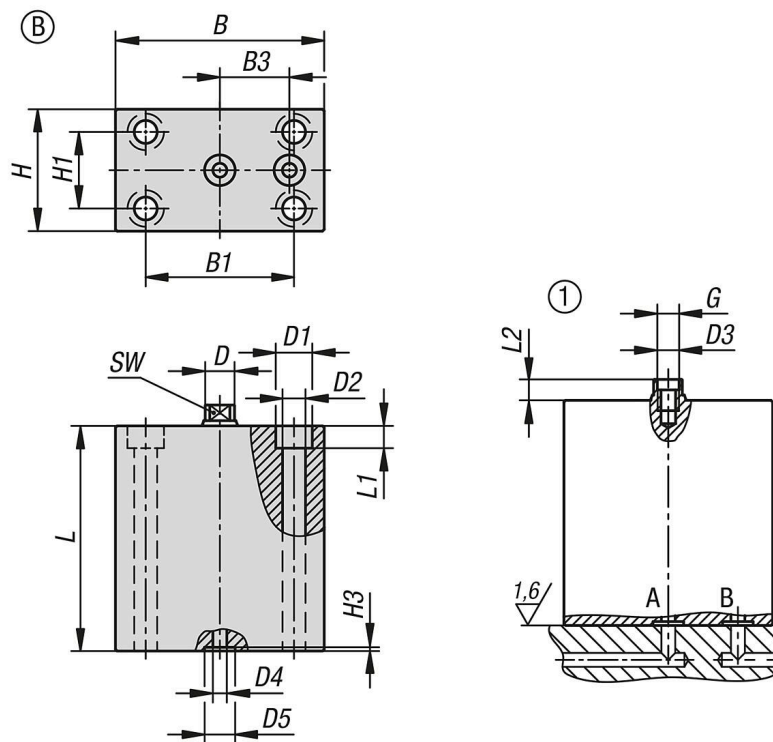
- Rest pads 02153.
- Self-aligning pads 02000, 02080, 02081, 02005, 02006.
- Gripper screws, hexagonal 07114.

Drawing reference:

- Form A: Longitudinal and transverse holes, screwed connection
- Form B: Underside, centre hole, O-ring flange connection
- Form C: Wide side, O-ring- flange connection

1) Mounting contour

Drawings



Overview of items

Order No.	Form	Form definition	Piston Ø	travel	Connection type	B	B1	B3	D	D1	D2	D3	D4	D5	G
04624-50-160822021	B	single-acting	16	8	o-ring flange connection	60	40	20	10	11	6,5	6,3x3	4	8,8	M6x15
04624-50-162022021	B	single-acting	16	20	o-ring flange connection	60	40	20	10	11	6,5	6,3x3	4	8,8	M6x15
04624-50-200822021	B	single-acting	20	8	o-ring flange connection	60	40	22	12	11	6,5	8,5x3	4	8,8	M8x16
04624-50-202022021	B	single-acting	20	20	o-ring flange connection	60	40	22	12	11	6,5	8,5x3	4	8,8	M8x16
04624-50-250822021	B	single-acting	25	8	o-ring flange connection	65	50	25	16	14	8,5	10,5x4	4	9,8	M10x17
04624-50-252022021	B	single-acting	25	20	o-ring flange connection	65	50	25	16	14	8,5	10,5x4	4	9,8	M10x17
04624-50-321022021	B	single-acting	32	10	o-ring flange connection	75	55	27,5	20	18	10,5	12,5x4	5	9,8	M12x18
04624-50-322022021	B	single-acting	32	20	o-ring flange connection	75	55	27,5	20	18	10,5	12,5x4	5	9,8	M12x18
04624-50-401022021	B	single-acting	40	10	o-ring flange connection	85	63	31,5	25	18	10,5	16,5x7	5	9,8	M16x27
04624-50-402022021	B	single-acting	40	20	o-ring flange connection	85	63	31,5	25	18	10,5	16,5x7	5	9,8	M16x27
04624-50-161612021	B	double-acting	16	16	o-ring flange connection	60	40	20	10	11	6,5	6,3x3	4	8,8	M6x15
04624-50-163212021	B	double-acting	16	32	o-ring flange connection	60	40	20	10	11	6,5	6,3x3	4	8,8	M6x15
04624-50-165012021	B	double-acting	16	50	o-ring flange connection	60	40	20	10	11	6,5	6,3x3	4	8,8	M6x15
04624-50-201612021	B	double-acting	20	16	o-ring flange connection	60	40	22	12	11	6,5	8,5x3	4	8,8	M8x16

Overview of items

Order No.	Form	Form definition	Piston Ø	travel	Connection type	B	B1	B3	D	D1	D2	D3	D4	D5	G
04624-50-203212021	B	double-acting	20	32	o-ring flange connection	60	40	22	12	11	6,5	8,5x3	4	8,8	M8x16
04624-50-205012021	B	double-acting	20	50	o-ring flange connection	60	40	22	12	11	6,5	8,5x3	4	8,8	M8x16
04624-50-252012021	B	double-acting	25	20	o-ring flange connection	65	50	25	16	14	8,5	10,5x4	4	9,8	M10x17
04624-50-255012021	B	double-acting	25	50	o-ring flange connection	65	50	50	16	14	8,5	10,5x4	4	9,8	M10x17
04624-50-322512021	B	double-acting	32	25	o-ring flange connection	75	55	27,5	20	18	10,5	12,5x4	5	9,8	M12x18
04624-50-325012021	B	double-acting	32	50	o-ring flange connection	75	55	27,5	20	18	10,5	12,5x4	5	9,8	M12x18
04624-50-402512021	B	double-acting	40	25	o-ring flange connection	85	63	31,5	25	18	10,5	16,5x7	5	9,8	M16x27
04624-50-405012021	B	double-acting	40	50	o-ring flange connection	85	63	31,5	25	18	10,5	16,5x7	5	9,8	M16x27

Order No.	Form	Form definition	Piston Ø	travel	H	H1	H3	L	L1	L2	SW	Effective piston area (cm ²)	Compressive force at 100 bar (kN)	Tractive force at 100 bar (kN)
04624-50-160822021	B	single-acting	16	8	35	22	1,1	56	6,4	6	8	2	2	-
04624-50-162022021	B	single-acting	16	20	35	22	1,1	91	6,4	6	8	2	2	-
04624-50-200822021	B	single-acting	20	8	35	22	1,1	61	6,4	7	10	3,1	3,1	-
04624-50-202022021	B	single-acting	20	20	35	22	1,1	95	6,4	7	10	3,1	3,1	-
04624-50-250822021	B	single-acting	25	8	45	30	1,1	64	8,6	7	13	4,9	4,9	-
04624-50-252022021	B	single-acting	25	20	45	30	1,1	94	8,6	7	13	4,9	4,9	-
04624-50-321022021	B	single-acting	32	10	55	35	1,1	75	10,6	10	17	8	8	-
04624-50-322022021	B	single-acting	32	20	55	35	1,1	100	10,6	10	17	8	8	-
04624-50-401022021	B	single-acting	40	10	63	40	1,1	79	10,6	10	22	12,5	12,6	-
04624-50-402022021	B	single-acting	40	20	63	40	1,1	104	10,6	10	22	12,5	12,6	-
04624-50-161612021	B	double-acting	16	16	35	22	1,1	56	6,4	6	8	2	2	1,2
04624-50-163212021	B	double-acting	16	32	35	22	1,1	73	6,4	6	8	2	2	1,2
04624-50-165012021	B	double-acting	16	50	35	22	1,1	91	6,4	6	8	2	2	1,2
04624-50-201612021	B	double-acting	20	16	35	22	1,1	61	6,4	7	10	3,1	3,1	2
04624-50-203212021	B	double-acting	20	32	35	22	1,1	77	6,4	7	10	3,1	3,1	2
04624-50-205012021	B	double-acting	20	50	35	22	1,1	95	6,4	7	10	3,1	3,1	2
04624-50-252012021	B	double-acting	25	20	45	30	1,1	64	8,6	7	13	4,9	4,9	2,9
04624-50-255012021	B	double-acting	25	50	45	30	1,1	94	8,6	7	13	4,9	4,9	2,9
04624-50-322512021	B	double-acting	32	25	55	35	1,1	75	10,6	10	17	8	8	4,9
04624-50-325012021	B	double-acting	32	50	55	35	1,1	100	10,6	10	17	8	8	4,9
04624-50-402512021	B	double-acting	40	25	63	40	1,1	79	10,6	10	22	12,5	12,6	7,7
04624-50-405012021	B	double-acting	40	50	63	40	1,1	104	10,6	10	22	12,5	12,6	7,7