

Item description/product images



**Description**

**Material:**  
Carbon steel.

**Version:**  
Black oxidised.

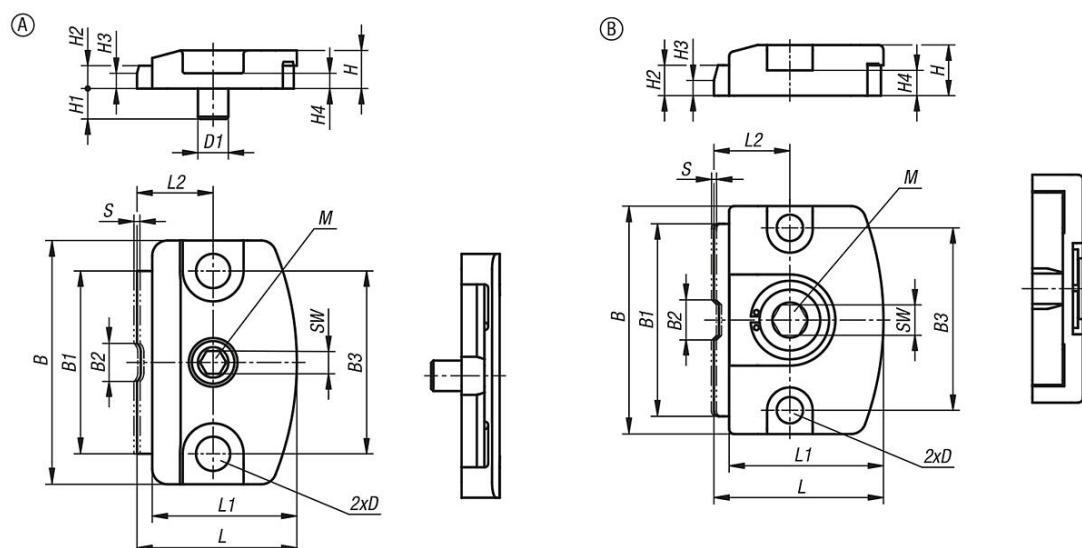
**Note:**  
Form A with locating pin.  
Form B without locating pin.

**Assembly:**  
See drawing (Form A).

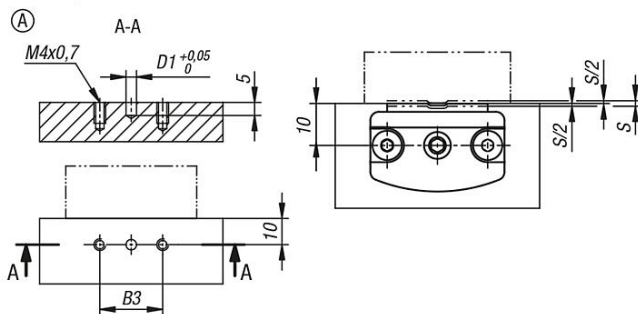
**Advantages:**

- Compact and flat design
- Quick and easy clamping of components

Drawings



mounting instructions:



Overview of items

Order No.	Form	B	B1	B2	B3	D	D1	H	H1	H2	H3	H4	L	L1	L2	SW	Travel S	Clamping force kN	Tightening torque max. Nm
04472-00130	A	32	24	5	24	4,5	4	5	4	3	2	2	21	19	10	3	0,8	1,3	2,1
04472-10400	B	45	38	8	36	5,2	-	10	-	6	3	5	33,5	30,5	15	6	1	4	10

## Overview of items

Order No.	Form	B	B1	B2	B3	D	D1	H	H1	H2	H3	H4	L	L1	L2	SW	Travel S	Clamping force kN	Tightening torque max. Nm
04472-10600	B	70	60	12	55	8,2	-	15	-	9	5	7	50	46	22	10	2	6	27