

Item description/product images



Description

Material:

Carbon steel.

Version:

Black oxidised.

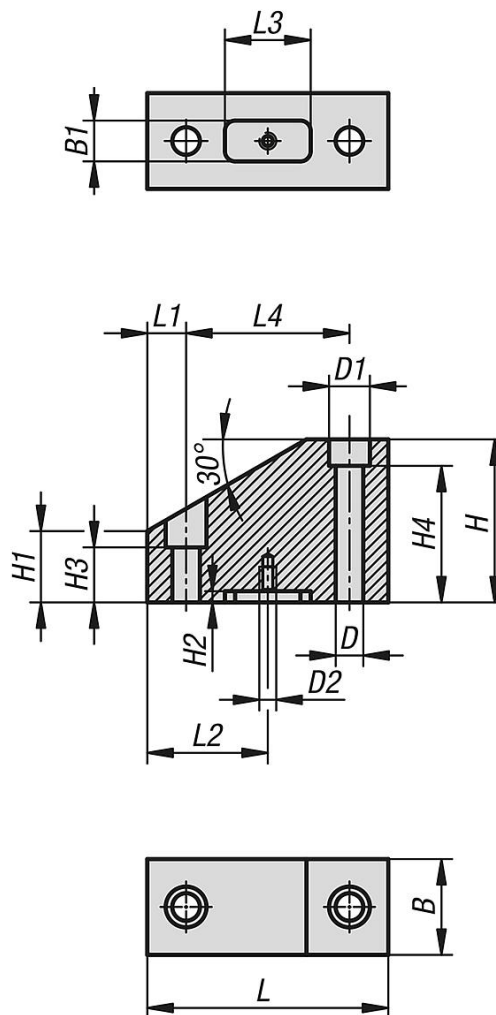
Note:

Prisms for chain clamp sets enable flexible positioning of the workpiece. The prisms can be fastened to the machine table using T-slot nuts.

Accessory:

Nuts for T-slots DIN 508 enhanced, 07060.

Drawings



Overview of items

Order No.	B	B1	D	D1	D2	H	H1	H2	H3	H4	L	L1	L2	L3	L4
04211-09-11847080	47	20	13,5	20	M6	80	35	5,5	27	67	118	19	59	42	80
04211-09-14847100	47	20	17,5	26	M6	100	44	5,5	33	33	148	24	74	44	100