



Description

Product description:

Quarter-turn latches are used for replacing and locking fixtures or hatches quickly and easily.

Toolless clamping shortens setup times.

Material:

Housing stainless steel.

Rotary knob thermoplastic PA (polyamide) or stainless steel.

Version:

Housing bright.

Rotary knob PA fibreglass reinforced, black.

Knob stainless steel, bright.

Note:

M2 or M3 stainless steel fastening screws are included.

The plate thickness varies depending on the clamping pin used (03192-09).

Mounting option 1 with Form A clamping pin for plate thickness 6 mm or with Form B clamping pin for plate thickness 9 mm.

Mounting option 2 with Form A clamping pin for plate thickness >6 to 20 mm or with Form B clamping pin for plate thickness >9 to 20 mm.

The clamping pins must be ordered separately.

A gap of more than 0.1 mm appears between the plates if the retaining force is exceeded.

Type of operation:

Ensure that the twist knob is in the "OFF" position.

Place the quarter-turn latch over the clamping pin and turn the twist knob to the 'ON' position.

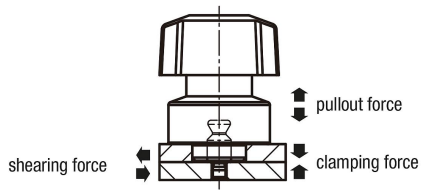
Accessory:

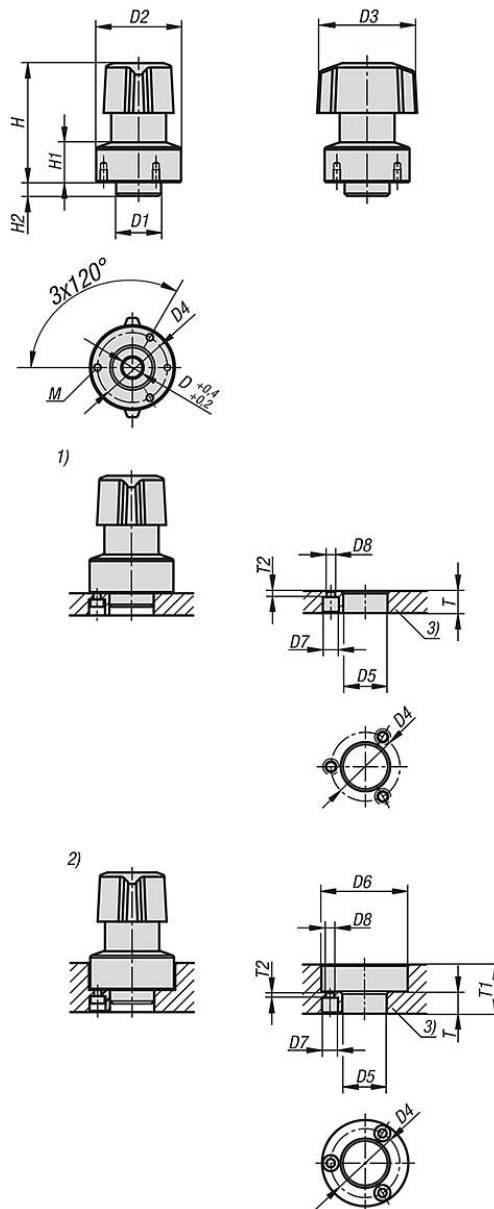
Stainless steel clamping pin for quarter-turn latch 03192-09.

Drawing reference:

- 1) Mounting option 1
- 2) Mounting option 2
- 3) Plate

Item description/product images





Overview of items

Order No.	Component material	D	D1	D2	D3	D4	D5	D6	D7	D8	H	H1	H2	M	T	T1	T2	Clamping force N	Pullout force F kN	Holding force N	Temperature resistance
03192-08-14	polyamide	6	14	25	30	21	14	26	4,4	2,4	40	14,7	5,5	M02x4	6/9	6-20/9-20	2,5	150	1,8	450	≤130 °C
03192-08-18	polyamide	8	18	34	40	28	18	35	6,5	3,4	48	16	5,5	M3x5	6/9	6-20/9-20	2,5	250	2,4	750	≤180 °C