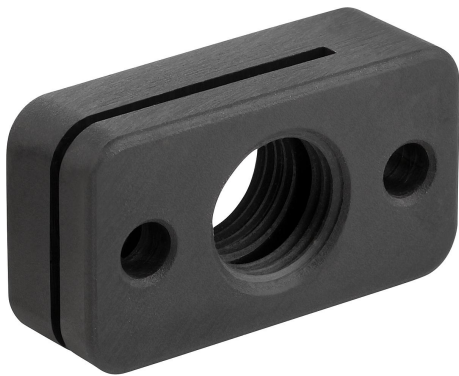


Item description/product images



Description

Material:

Aluminium 3.2163.

Version:

Black anodised

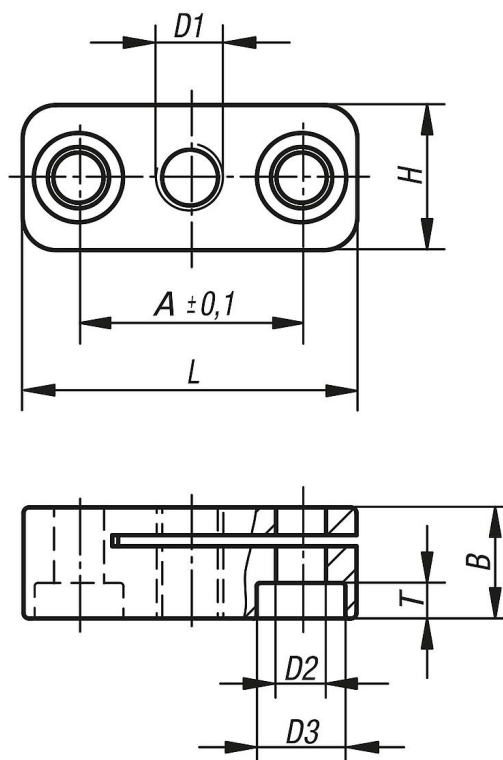
Note:

These mounting brackets are an assembly aid for cam-action and other indexing plungers and expand the application field. They can also be used with other elements that have a suitable thread.

Fastened using DIN 912 / ISO 4762 cap screws.

Drawings

Form A
Fastening holes
parallel to thread



Overview of items

Order No.	Form	D1	D2	D3	A	B	H	H1	L	T
03099-306	A	M6	4,5	8	20	10	13	-	30	3,2
03099-3061	A	M6x0,75	4,5	8	20	10	13	-	30	3,2
03099-308	A	M8	4,5	8	20	10	13	-	30	3,2
03099-3081	A	M8x1	4,5	8	20	10	13	-	30	3,2
03099-310	A	M10	5,5	10	24	12	18	-	37	3,9
03099-3101	A	M10x1	5,5	10	24	12	18	-	37	3,9
03099-312	A	M12	5,5	10	24	12	18	-	37	3,9
03099-3121	A	M12x1,5	5,5	10	24	12	18	-	37	3,9
03099-316	A	M16	5,5	10	32	15	25	-	46	3,9
03099-3161	A	M16x1,5	5,5	10	32	15	25	-	46	3,9
03099-320	A	M20	5,5	10	32	15	25	-	46	3,9
03099-3201	A	M20x1,5	5,5	10	32	15	25	-	46	3,9

