

## Item description/product images

**Description****Material:**

Steel version:  
Indexing pin hardened:  
Indexing pin steel.  
Threaded sleeve steel.

Stainless steel version:  
Indexing pin hardened:  
Threaded sleeve 1.4305.  
Indexing pin 1.4034.

T-grip black grey or traffic red RAL3020 thermoplastic.

**Version:**

Steel version:  
indexing pin hardened, ground and black oxidised.  
Threaded sleeve black oxidised

Stainless steel version:  
indexing pin hardened, ground and bright.  
Threaded sleeve bright.

**Note:**

Indexing plungers are used to prevent any change in locking position due to lateral forces. A new locking position can only be set after the pin has been manually disengaged. The ergonomic T-grip enables easy handling and low effort.

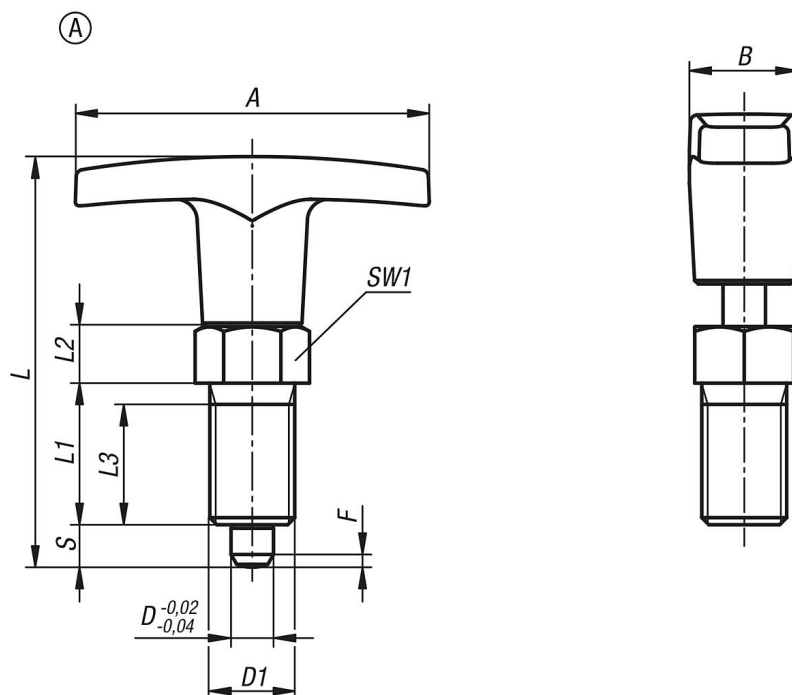
**On request:**

Special versions.

**Accessory:**

Spacer rings 03089.  
fastening sets for thin-walled parts 03094-10.

## Drawings



## Overview of items

Order No.	Main material	Component colour	Form	A	B	D	D1	L	L1	L2	L3	Travel S	SW1	Fx30°	Spring force initial pressure F1 approx. N	Spring force final pressure F2 approx. N
03090-5206	steel	black grey RAL 7021	A	50	15,5	6	M12x1,5	58	20	8	17	6	14	1,8	6	14
03090-5308	steel	black grey RAL 7021	A	60	18	8	M16x1,5	77	26	10	23	8	19	2,3	15	35
03090-5410	steel	black grey RAL 7021	A	72	19	10	M20x1,5	84	28	12	25	10	22	2,8	15	34
03090-520684	steel	traffic red RAL 3020	A	50	15,5	6	M12x1,5	58	20	8	17	6	14	1,8	6	14
03090-530884	steel	traffic red RAL 3020	A	60	18	8	M16x1,5	77	26	10	23	8	19	2,3	15	35
03090-541084	steel	traffic red RAL 3020	A	72	19	10	M20x1,5	84	28	12	25	10	22	2,8	15	34
03090-05206	stainless steel	black grey RAL 7021	A	50	15,5	6	M12x1,5	58	20	8	17	6	14	1,8	6	14
03090-05308	stainless steel	black grey RAL 7021	A	60	18	8	M16x1,5	77	26	10	23	8	19	2,3	15	35
03090-05410	stainless steel	black grey RAL 7021	A	72	19	10	M20x1,5	84	28	12	25	10	22	2,8	15	34
03090-0520684	stainless steel	traffic red RAL 3020	A	50	15,5	6	M12x1,5	58	20	8	17	6	14	1,8	6	14
03090-0530884	stainless steel	traffic red RAL 3020	A	60	18	8	M16x1,5	77	26	10	23	8	19	2,3	15	35
03090-0541084	stainless steel	traffic red RAL 3020	A	72	19	10	M20x1,5	84	28	12	25	10	22	2,8	15	34