

Description

Material:

Stainless steel version A1:
Threaded sleeve and mushroom grip 1.4305.
Indexing pin hardened 1.4034.
Indexing pin not hardened 1.4305.

Stainless steel version A4:
Threaded sleeve, mushroom grip and indexing pin 1.4404.

Version:

Stainless steel version A1:
Threaded sleeve and mushroom grip bright.
Indexing pin hardened and ground, bright.
Indexing pin not hardened and ground, bright.

Stainless steel version A4:
Threaded sleeve bright.
Mushroom grip bright or abrasive blasted.
Indexing pin ground and chemically nickel-plated.
Indexing pin ground, bright.

Note:

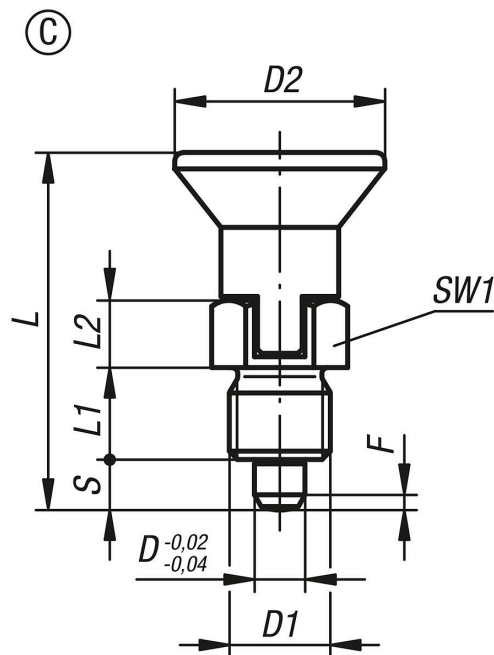
The materials used enable a wide range of applications.
Indexing plungers made from A4 stainless steel are recommended for applications with very high corrosion resistance requirements.

On request:

Special versions.

Accessory:

Positioning bushes 03099-50.
Spacer rings 03089.
Fastening set stainless steel for thin-walled parts 03094-10.



Overview of items

Order No.	Form	Main material	Steel key	Mushroom grip	locating pin	D	D1	D2	L	L1	L2	Travel S	SW1	Fx30°	Spring force initial pressure F1 approx. N	Spring force final pressure F2 approx. N
03089-117903	C	stainless steel	1.4305	bright	not hardened	3	M6x0,75	14	25,5	6	5	3,5	8	0,8	3	10
03089-117004	C	stainless steel	1.4305	bright	not hardened	4	M8x1	18	29,5	6	6	4	10	1	4	12
03089-117105	C	stainless steel	1.4305	bright	not hardened	5	M10x1	21	34,5	8	7	5	13	1,3	5	12
03089-117206	C	stainless steel	1.4305	bright	not hardened	6	M12x1,5	25	41,7	10	8	6	14	1,8	6	14
03089-117308	C	stainless steel	1.4305	bright	not hardened	8	M16x1,5	33	54	12	10	8	19	2,3	14	28
03089-117410	C	stainless steel	1.4305	bright	not hardened	10	M20x1,5	33	61	15	12	10	22	2,8	15	32
03089-007903	C	stainless steel	1.4034	bright	hardened	3	M6x0,75	14	25,5	6	5	3,5	8	0,8	3	10
03089-007004	C	stainless steel	1.4034	bright	hardened	4	M8x1	18	29,5	6	6	4	10	1	4	12
03089-007105	C	stainless steel	1.4034	bright	hardened	5	M10x1	21	34,5	8	7	5	13	1,3	5	12
03089-007206	C	stainless steel	1.4034	bright	hardened	6	M12x1,5	25	41,7	10	8	6	14	1,8	6	14
03089-007308	C	stainless steel	1.4034	bright	hardened	8	M16x1,5	33	54	12	10	8	19	2,3	14	28
03089-007410	C	stainless steel	1.4034	bright	hardened	10	M20x1,5	33	61	15	12	10	22	2,8	15	32
03089-067903	C	stainless steel	1.4404	bright	nickel-plated	3	M6x0,75	14	25,5	6	5	3,5	8	0,8	3	10
03089-067004	C	stainless steel	1.4404	bright	nickel-plated	4	M8x1	18	29,5	6	6	4	10	1	4	12
03089-067105	C	stainless steel	1.4404	bright	nickel-plated	5	M10x1	21	34,5	8	7	5	13	1,3	5	12
03089-067206	C	stainless steel	1.4404	bright	nickel-plated	6	M12x1,5	25	41,7	10	8	6	14	1,8	6	14
03089-067308	C	stainless steel	1.4404	bright	nickel-plated	8	M16x1,5	33	54	12	10	8	19	2,3	14	28
03089-067410	C	stainless steel	1.4404	bright	nickel-plated	10	M20x1,5	33	61	15	12	10	22	2,8	15	32
03089-177903	C	stainless steel	1.4404	bright	bright	3	M6x0,75	14	25,5	6	5	3,5	8	0,8	3	10
03089-177004	C	stainless steel	1.4404	bright	bright	4	M8x1	18	29,5	6	6	4	10	1	4	12
03089-177105	C	stainless steel	1.4404	bright	bright	5	M10x1	21	34,5	8	7	5	13	1,3	5	12
03089-177206	C	stainless steel	1.4404	bright	bright	6	M12x1,5	25	41,7	10	8	6	14	1,8	6	14
03089-177308	C	stainless steel	1.4404	bright	bright	8	M16x1,5	33	54	12	10	8	19	2,3	14	28
03089-177410	C	stainless steel	1.4404	bright	bright	10	M20x1,5	33	61	15	12	10	22	2,8	15	32
03089-0679031	C	stainless steel	1.4404	blasted	nickel-plated	3	M6x0,75	14	25,5	6	5	3,5	8	0,8	3	10
03089-0670041	C	stainless steel	1.4404	blasted	nickel-plated	4	M8x1	18	29,5	6	6	4	10	1	4	12
03089-0671051	C	stainless steel	1.4404	blasted	nickel-plated	5	M10x1	21	34,5	8	7	5	13	1,3	5	12
03089-0672061	C	stainless steel	1.4404	blasted	nickel-plated	6	M12x1,5	25	41,7	10	8	6	14	1,8	6	14
03089-0673081	C	stainless steel	1.4404	blasted	nickel-plated	8	M16x1,5	33	54	12	10	8	19	2,3	14	28
03089-0674101	C	stainless steel	1.4404	blasted	nickel-plated	10	M20x1,5	33	61	15	12	10	22	2,8	15	32
03089-1779031	C	stainless steel	1.4404	blasted	bright	3	M6x0,75	14	25,5	6	5	3,5	8	0,8	3	10
03089-1770041	C	stainless steel	1.4404	blasted	bright	4	M8x1	18	29,5	6	6	4	10	1	4	12
03089-1771051	C	stainless steel	1.4404	blasted	bright	5	M10x1	21	34,5	8	7	5	13	1,3	5	12
03089-1772061	C	stainless steel	1.4404	blasted	bright	6	M12x1,5	25	41,7	10	8	6	14	1,8	6	14
03089-1773081	C	stainless steel	1.4404	blasted	bright	8	M16x1,5	33	54	12	10	8	19	2,3	14	28
03089-1774101	C	stainless steel	1.4404	blasted	bright	10	M20x1,5	33	61	15	12	10	22	2,8	15	32

