

Description

Product description:

Indexing plungers are used to prevent any change in locking position due to lateral forces. A new locking position can only be set after the pin has been manually disengaged. Form C or D is recommended for applications where the plunger remains disengaged over a long period and the pin should be prevented from springing back.

Material:

Stainless steel version A1:
Threaded sleeve and mushroom grip 1.4305.
Indexing pin hardened 1.4034.
Indexing pin not hardened 1.4305.

Stainless steel version A4:
Threaded sleeve, mushroom grip and indexing pin 1.4404.

Version:

Stainless steel version A1:
Threaded sleeve and mushroom grip bright.
Indexing pin hardened and ground, bright.
Indexing pin not hardened and ground, bright.

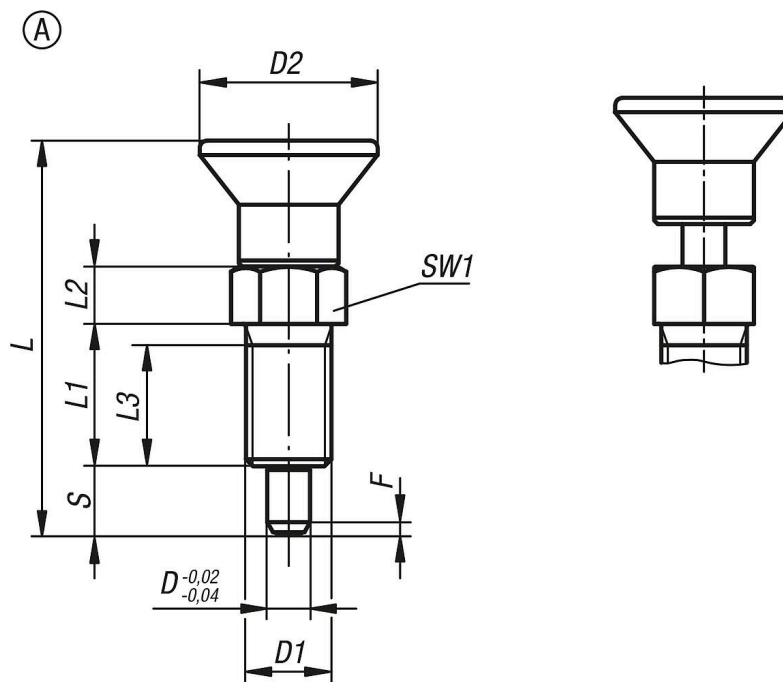
Stainless steel version A4:
Threaded sleeve bright.
Mushroom grip bright or abrasive blasted.
Indexing pin ground and chemically nickel-plated.
Indexing pin ground, bright.

Note:

The materials used enable a wide range of applications.
Indexing plungers made from A4 stainless steel are recommended for applications with very high corrosion resistance requirements.

Accessory:

Spacer rings 03089.
fastening sets for thin-walled parts 03094-10.



Overview of items

Order No.	Size	Form	Form definition	Steel key	Surface finish component	D	D1	D2	L	L1	L2	L3
03089-2001903	9	A	without locking slot, without locknut	1.4034	bright	3	M6x0,75	14	33	12	5	10
03089-2001004	0	A	without locking slot, without locknut	1.4034	bright	4	M8x1	18	40,5	15	6	13
03089-2001105	1	A	without locking slot, without locknut	1.4034	bright	5	M10x1	21	46,5	17	7	15
03089-2001206	2	A	without locking slot, without locknut	1.4034	bright	6	M12x1,5	25	54,7	20	8	17
03089-2001308	3	A	without locking slot, without locknut	1.4034	bright	8	M16x1,5	33	72	26	10	23
03089-2001410	4	A	without locking slot, without locknut	1.4034	bright	10	M20x1,5	33	79	28	12	25
03089-2001412	4	A	without locking slot, without locknut	1.4034	bright	12	M20x1,5	33	84	28	14	25
03089-2001516	5	A	without locking slot, without locknut	1.4034	bright	16	M24x2	40	104	32	18	28
03089-2111903	9	A	without locking slot, without locknut	1.4305	bright	3	M6x0,75	14	33	12	5	10
03089-2111004	0	A	without locking slot, without locknut	1.4305	bright	4	M8x1	18	40,5	15	6	13
03089-2111105	1	A	without locking slot, without locknut	1.4305	bright	5	M10x1	21	46,5	17	7	15
03089-2111206	2	A	without locking slot, without locknut	1.4305	bright	6	M12x1,5	25	54,7	20	8	17
03089-2111308	3	A	without locking slot, without locknut	1.4305	bright	8	M16x1,5	33	72	26	10	23
03089-2111410	4	A	without locking slot, without locknut	1.4305	bright	10	M20x1,5	33	79	28	12	25
03089-2111412	4	A	without locking slot, without locknut	1.4305	bright	12	M20x1,5	33	84	28	14	25
03089-2111516	5	A	without locking slot, without locknut	1.4305	bright	16	M24x2	40	104	32	18	28
03089-2061903	9	A	without locking slot, without locknut	1.4404	bright	3	M6x0,75	14	33	12	5	10
03089-2061004	0	A	without locking slot, without locknut	1.4404	bright	4	M8x1	18	40,5	15	6	13
03089-2061105	1	A	without locking slot, without locknut	1.4404	bright	5	M10x1	21	46,5	17	7	15
03089-2061206	2	A	without locking slot, without locknut	1.4404	bright	6	M12x1,5	25	54,7	20	8	17
03089-2061308	3	A	without locking slot, without locknut	1.4404	bright	8	M16x1,5	33	72	26	10	23
03089-2061410	4	A	without locking slot, without locknut	1.4404	bright	10	M20x1,5	33	79	28	12	25
03089-2061412	4	A	without locking slot, without locknut	1.4404	bright	12	M20x1,5	33	84	28	14	25
03089-2061516	5	A	without locking slot, without locknut	1.4404	bright	16	M24x2	40	104	32	18	28
03089-2171903	9	A	without locking slot, without locknut	1.4404	bright	3	M6x0,75	14	33	12	5	10
03089-2171004	0	A	without locking slot, without locknut	1.4404	bright	4	M8x1	18	40,5	15	6	13
03089-2171105	1	A	without locking slot, without locknut	1.4404	bright	5	M10x1	21	46,5	17	7	15
03089-2171206	2	A	without locking slot, without locknut	1.4404	bright	6	M12x1,5	25	54,7	20	8	17
03089-2171308	3	A	without locking slot, without locknut	1.4404	bright	8	M16x1,5	33	72	26	10	23
03089-2171410	4	A	without locking slot, without locknut	1.4404	bright	10	M20x1,5	33	79	28	12	25
03089-2171412	4	A	without locking slot, without locknut	1.4404	bright	12	M20x1,5	33	84	28	14	25
03089-2171516	5	A	without locking slot, without locknut	1.4404	bright	16	M24x2	40	104	32	18	28
03089-20619031	9	A	without locking slot, without locknut	1.4404	blasted	3	M6x0,75	14	33	12	5	10
03089-20610041	0	A	without locking slot, without locknut	1.4404	blasted	4	M8x1	18	40,5	15	6	13
03089-20611051	1	A	without locking slot, without locknut	1.4404	blasted	5	M10x1	21	46,5	17	7	15
03089-20612061	2	A	without locking slot, without locknut	1.4404	blasted	6	M12x1,5	25	54,7	20	8	17

03089_A Indexing plungers, stainless steel with stainless steel mushroom grip and extended indexing pin, without locking slot or locknut



Overview of items

Order No.	Size	Form	Form definition	Steel key	Surface finish component	D	D1	D2	L	L1	L2	L3
03089-20613081	3	A	without locking slot, without locknut	1.4404	blasted	8	M16x1,5	33	72	26	10	23
03089-20614101	4	A	without locking slot, without locknut	1.4404	blasted	10	M20x1,5	33	79	28	12	25
03089-20614121	4	A	without locking slot, without locknut	1.4404	blasted	12	M20x1,5	33	84	28	14	25
03089-20615161	5	A	without locking slot, without locknut	1.4404	blasted	16	M24x2	40	104	32	18	28
03089-21719031	9	A	without locking slot, without locknut	1.4404	blasted	3	M6x0,75	14	33	12	5	10
03089-21710041	0	A	without locking slot, without locknut	1.4404	blasted	4	M8x1	18	40,5	15	6	13
03089-21711051	1	A	without locking slot, without locknut	1.4404	blasted	5	M10x1	21	46,5	17	7	15
03089-21712061	2	A	without locking slot, without locknut	1.4404	blasted	6	M12x1,5	25	54,7	20	8	17
03089-21713081	3	A	without locking slot, without locknut	1.4404	blasted	8	M16x1,5	33	72	26	10	23
03089-21714101	4	A	without locking slot, without locknut	1.4404	blasted	10	M20x1,5	33	79	28	12	25
03089-21714121	4	A	without locking slot, without locknut	1.4404	blasted	12	M20x1,5	33	84	28	14	25
03089-21715161	5	A	without locking slot, without locknut	1.4404	blasted	16	M24x2	40	104	32	18	28

Order No.	Size	Form	Form definition	Steel key	Surface finish component	Travel S	SW1	Fx30°	Spring force initial pressure F1 approx. N	Spring force final pressure F2 approx. N
03089-2001903	9	A	without locking slot, without locknut	1.4034	bright	5	8	0,8	4,5	12
03089-2001004	0	A	without locking slot, without locknut	1.4034	bright	6	10	1	6	15
03089-2001105	1	A	without locking slot, without locknut	1.4034	bright	8	13	1,3	5	16
03089-2001206	2	A	without locking slot, without locknut	1.4034	bright	9	14	1,8	6	18
03089-2001308	3	A	without locking slot, without locknut	1.4034	bright	12	19	2,3	15	45
03089-2001410	4	A	without locking slot, without locknut	1.4034	bright	15	22	2,8	15	43
03089-2001412	4	A	without locking slot, without locknut	1.4034	bright	18	22	2,8	15	51
03089-2001516	5	A	without locking slot, without locknut	1.4034	bright	24	27	3,2	20	50
03089-2111903	9	A	without locking slot, without locknut	1.4305	bright	5	8	0,8	4,5	12
03089-2111004	0	A	without locking slot, without locknut	1.4305	bright	6	10	1	6	15
03089-2111105	1	A	without locking slot, without locknut	1.4305	bright	8	13	1,3	5	16
03089-2111206	2	A	without locking slot, without locknut	1.4305	bright	9	14	1,8	6	18
03089-2111308	3	A	without locking slot, without locknut	1.4305	bright	12	19	2,3	15	45
03089-2111410	4	A	without locking slot, without locknut	1.4305	bright	15	22	2,8	15	43
03089-2111412	4	A	without locking slot, without locknut	1.4305	bright	18	22	2,8	15	51
03089-2111516	5	A	without locking slot, without locknut	1.4305	bright	24	27	3,2	20	50
03089-2061903	9	A	without locking slot, without locknut	1.4404	bright	5	8	0,8	3	8
03089-2061004	0	A	without locking slot, without locknut	1.4404	bright	6	10	1	7	19
03089-2061105	1	A	without locking slot, without locknut	1.4404	bright	8	13	1,3	4	17
03089-2061206	2	A	without locking slot, without locknut	1.4404	bright	9	14	1,8	7	18
03089-2061308	3	A	without locking slot, without locknut	1.4404	bright	12	19	2,3	15	45
03089-2061410	4	A	without locking slot, without locknut	1.4404	bright	15	22	2,8	15	40
03089-2061412	4	A	without locking slot, without locknut	1.4404	bright	18	22	2,8	15	51
03089-2061516	5	A	without locking slot, without locknut	1.4404	bright	24	27	3,2	20	50
03089-2171903	9	A	without locking slot, without locknut	1.4404	bright	5	8	0,8	3	8
03089-2171004	0	A	without locking slot, without locknut	1.4404	bright	6	10	1	7	19
03089-2171105	1	A	without locking slot, without locknut	1.4404	bright	8	13	1,3	4	17
03089-2171206	2	A	without locking slot, without locknut	1.4404	bright	9	14	1,8	7	18
03089-2171308	3	A	without locking slot, without locknut	1.4404	bright	12	19	2,3	15	45
03089-2171410	4	A	without locking slot, without locknut	1.4404	bright	15	22	2,8	15	40
03089-2171412	4	A	without locking slot, without locknut	1.4404	bright	18	22	2,8	15	51
03089-2171516	5	A	without locking slot, without locknut	1.4404	bright	24	27	3,2	20	50
03089-20619031	9	A	without locking slot, without locknut	1.4404	blasted	5	8	0,8	3	8
03089-20610041	0	A	without locking slot, without locknut	1.4404	blasted	6	10	1	7	19
03089-20611051	1	A	without locking slot, without locknut	1.4404	blasted	8	13	1,3	4	17
03089-20612061	2	A	without locking slot, without locknut	1.4404	blasted	9	14	1,8	7	18
03089-20613081	3	A	without locking slot, without locknut	1.4404	blasted	12	19	2,3	15	45
03089-20614101	4	A	without locking slot, without locknut	1.4404	blasted	15	22	2,8	15	40
03089-20614121	4	A	without locking slot, without locknut	1.4404	blasted	18	22	2,8	15	51
03089-20615161	5	A	without locking slot, without locknut	1.4404	blasted	24	27	3,2	20	50
03089-21719031	9	A	without locking slot, without locknut	1.4404	blasted	5	8	0,8	3	8
03089-21710041	0	A	without locking slot, without locknut	1.4404	blasted	6	10	1	7	19
03089-21711051	1	A	without locking slot, without locknut	1.4404	blasted	8	13	1,3	4	17
03089-21712061	2	A	without locking slot, without locknut	1.4404	blasted	9	14	1,8	7	18
03089-21713081	3	A	without locking slot, without locknut	1.4404	blasted	12	19	2,3	15	45
03089-21714101	4	A	without locking slot, without locknut	1.4404	blasted	15	22	2,8	15	40
03089-21714121	4	A	without locking slot, without locknut	1.4404	blasted	18	22	2,8	15	51
03089-21715161	5	A	without locking slot, without locknut	1.4404	blasted	24	27	3,2	20	50

