

Item description/product images



Description

Material:

Steel version
Indexing pin hardened:
grade 5.8

Stainless steel version
Indexing pin not hardened:
Threaded sleeve 1.4305.
Indexing pin 1.4305.

Mushroom knob black-grey thermoplastic.

Version:

Steel version:
Indexing pin hardened, ground, black oxidised.

Stainless steel version:
Indexing pin not hardened, ground, bright.

Note:

These indexing plungers have been specially designed for assembly in thin-walled parts.

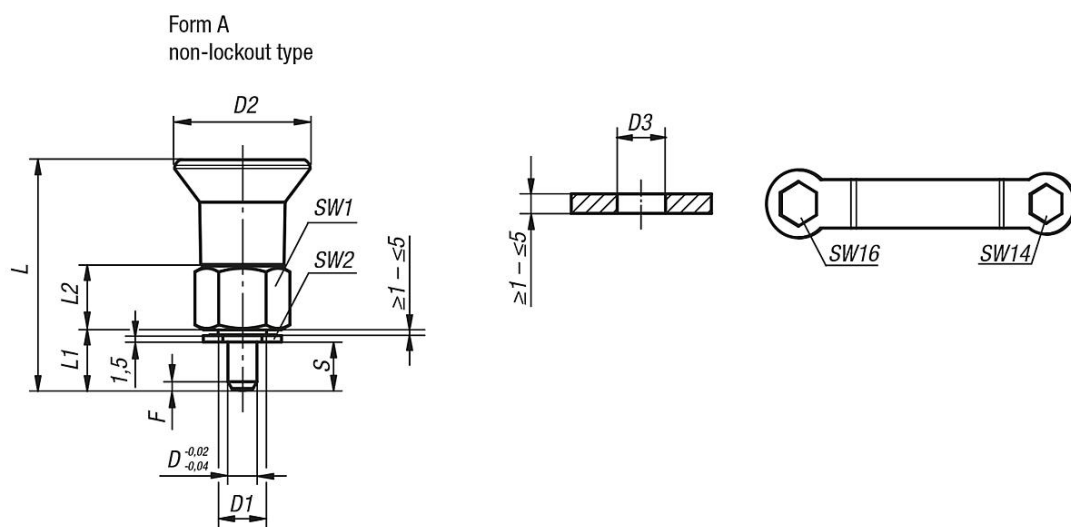
Indexing plungers are used where any change in locking position due to lateral forces should be prevented. A new locking position can be set only after the pin has been manually disengaged.

Form C is recommended for applications where the locking pin should remain disengaged for an extended period and be prevented from springing back.

Accessory:

A double-ended ring spanner can be supplied as an accessory to tighten the nut.

Drawings



Overview of items

| Order No. | Form | Main material | Surface finish body | D | D1 | D2 | D3 | L | L1 | L2 | Travel S | SW1 | SW2 | Fx30° | Spring force initial pressure F1 approx. N | Spring force final pressure F2 approx. N | Article number double-ended ring spanner |
|--------------|------|-----------------|---------------------|---|-------|----|----|------|------|----|----------|-----|-----|-------|--|--|--|
| 03089-31105 | A | steel | hardened | 5 | M10x1 | 28 | 10 | 46,5 | 11,5 | 13 | 5-9 | 17 | 14 | 1,3 | 6 | 15 | 03089-91416 |
| 03089-31206 | A | steel | hardened | 6 | M10x1 | 28 | 10 | 47,5 | 12,5 | 13 | 6-10 | 17 | 14 | 1,8 | 7 | 19 | 03089-91416 |
| 03089-311105 | A | stainless steel | not hardened | 5 | M10x1 | 28 | 10 | 46,5 | 11,5 | 13 | 5-9 | 17 | 14 | 1,3 | 6 | 15 | 03089-91416 |
| 03089-311206 | A | stainless steel | not hardened | 6 | M10x1 | 28 | 10 | 47,5 | 12,5 | 13 | 6-10 | 17 | 14 | 1,8 | 7 | 19 | 03089-91416 |