



Description

Material:

Body in steel, ball in rust and acid resistant steel.

Version:

Body black oxidised.

Ball bright.

Note:

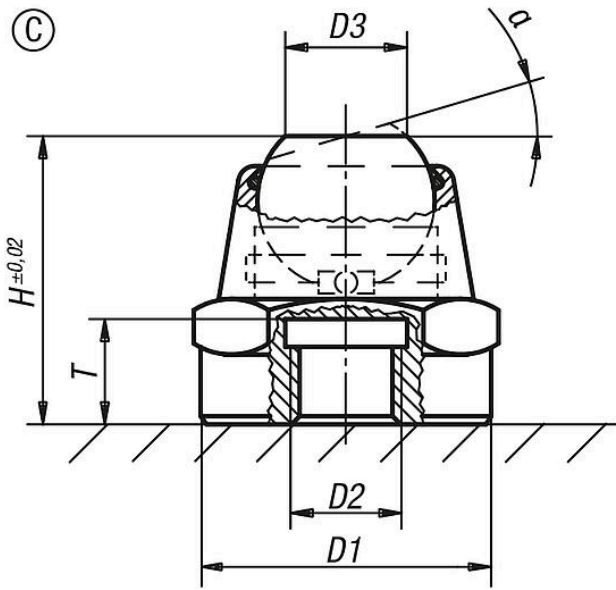
Self-aligning pads are used to support and clamp unmachined and machined workpieces. They also serve as stops, supports and thrust pads in fixture and toolmaking.

Grub screws or threaded studs can be screwed and glued into thread D2 making a self-aligning pad with external thread.

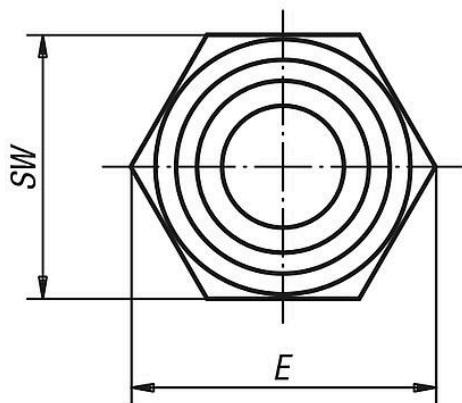
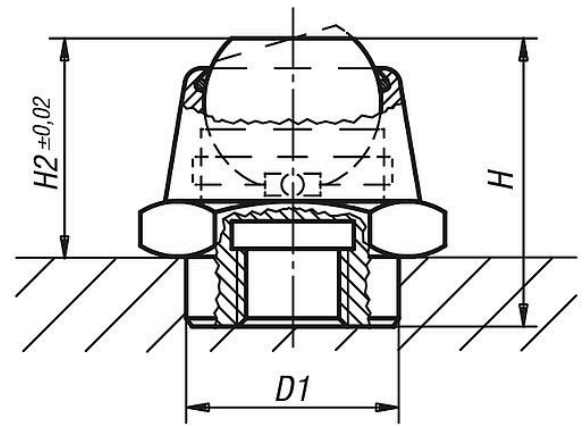
Ball secured against rotation.

Advantages:

- Self-aligning pads can be swiveled.
- High load forces can be absorbed.
- The built-in o-ring keeps dirt and foreign particles out, which in turn guarantees reliable operation.



02001-1061
02001-1101
02001-1161



Overview of items

| Order No. | Form | α | D1 | D2 | D3 | H | H2 | T | E | SW | Ball- \emptyset | Load rating max. kN (static load only) |
|------------|------|----------|----|-----|----|------|------|----|------|----|-------------------|--|
| 02001-1061 | C | 14° | 12 | M6 | 7 | 17,5 | 12,5 | 6 | 19,6 | 17 | 10 | 14 |
| 02001-106 | C | 14° | 16 | M6 | 7 | 17,5 | - | 6 | 19,6 | 17 | 10 | 14 |
| 02001-108 | C | 20° | 22 | M8 | 11 | 26 | - | 9 | 27,7 | 24 | 16 | 34 |
| 02001-1101 | C | 20° | 18 | M10 | 11 | 26 | 20 | 9 | 27,7 | 24 | 16 | 34 |
| 02001-110 | C | 20° | 22 | M10 | 11 | 26 | - | 9 | 27,7 | 24 | 16 | 34 |
| 02001-112 | C | 20° | 22 | M12 | 11 | 26 | - | 9 | 27,7 | 24 | 16 | 34 |
| 02001-1161 | C | 20° | 26 | M16 | 18 | 40 | 30 | 15 | 41,6 | 36 | 25 | 90 |
| 02001-116 | C | 20° | 34 | M16 | 18 | 40 | - | 15 | 41,6 | 36 | 25 | 90 |
| 02001-120 | C | 20° | 34 | M20 | 18 | 40 | - | 15 | 41,6 | 36 | 25 | 90 |