

Item description/product images



Description

Material:

Body carbon steel, ball ball-bearing steel 1.2067.

Version:

Body tempered and phosphated.

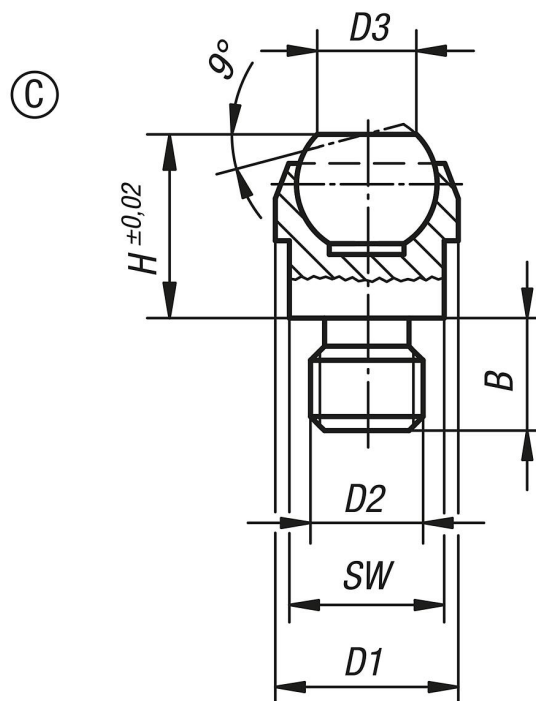
Ball hardened.

Note:

Self-aligning pads serve as stops, supports and thrust pads in fixture constructions.

Ball secured against rotation.

Drawings



Overview of items

Order No.	Form	B	D1	D2	D3	H	Ball-Ø	SW	Load rating max. kN (static load only)
02000-108	C	8	13	M8	7,2	13	10	11	10
02000-110	C	10	20	M10	10,5	18	16	17	25
02000-112	C	12	20	M12	10,5	18	16	17	25
02000-116	C	16	30	M16	20	27	25	27	90
02000-120	C	20	50	M20	34,5	35	40	41	165

