

Description

Product description:

3-sided workholding tower with integrated UNILOCK clamping modules EFM 138. The integrated clamping modules enable the rapid clamping or exchange of clamping equipment and fixtures on the workholding tower. Set-up times are reduced and machine running times increased.

Material:

Workholding tower GJL 300.
Clamping module case-hardening steel.

Version:

Workholding tower contact faces precision machined.
Clamping module contact faces hardened and ground.

Note:

These 3-sided workholding towers conform to machine tables for machine tools acc. to DIN 55201 and JIS6337-1980.

The clamping modules are actuated via a central pneumatic connection. The high clamping forces are generated via the integrated spring package (the unit clamps while not under pressure). Clamping is released pneumatically.

The following clamping forces are possible with the UNILOCK clamping bolt in conjunction with M10, M12, M16 fastening screws:

- Clamping force (M10) 35,000 N/module
 - Clamping force (M12) 50,000 N/module
 - Clamping force (M16) 75,000 N/module
- Clamping force with DIN EN ISO 4762 -12.9 cap screws

Clamping bolts may only be clamped in conjunction with a mounted interchangeable unit in the clamping module.

Temperature range:

+5 °C to +60 °C.

Supplied with:

- Workholding tower
- Transport screws.
- Operating instructions.

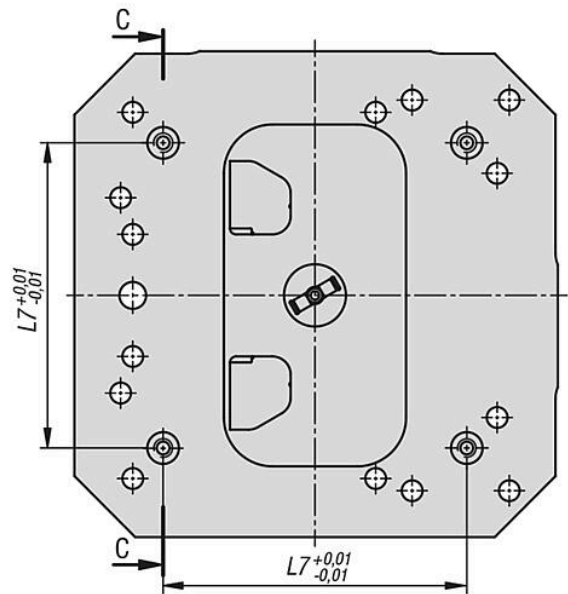
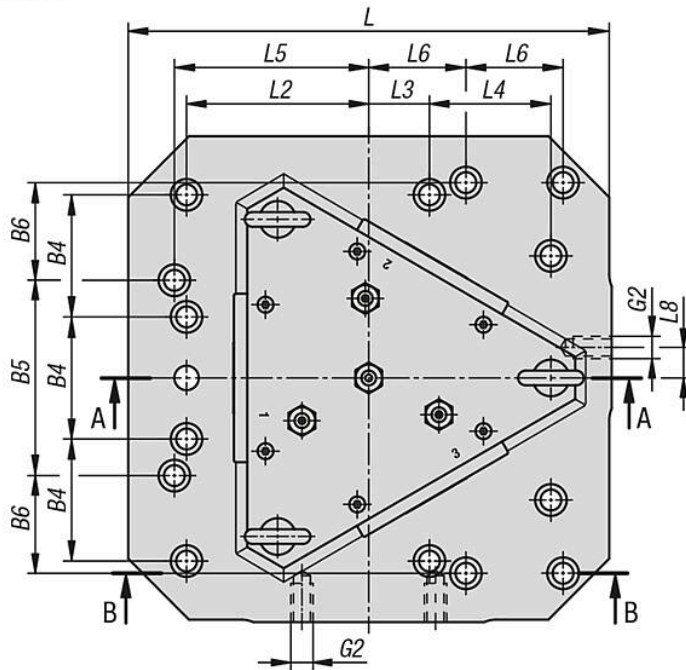
Accessory:

- UNILOCK clamping pin 42208.
- UNILOCK interchangeable subplates for zero-point clamping system 42755.
- UNILOCK protective bolt for clamping module 42796.
- UNILOCK protective plug for clamping module 42796.

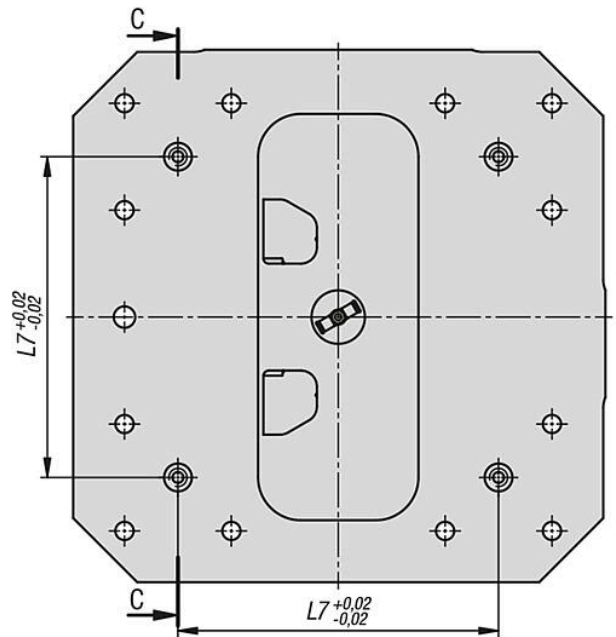
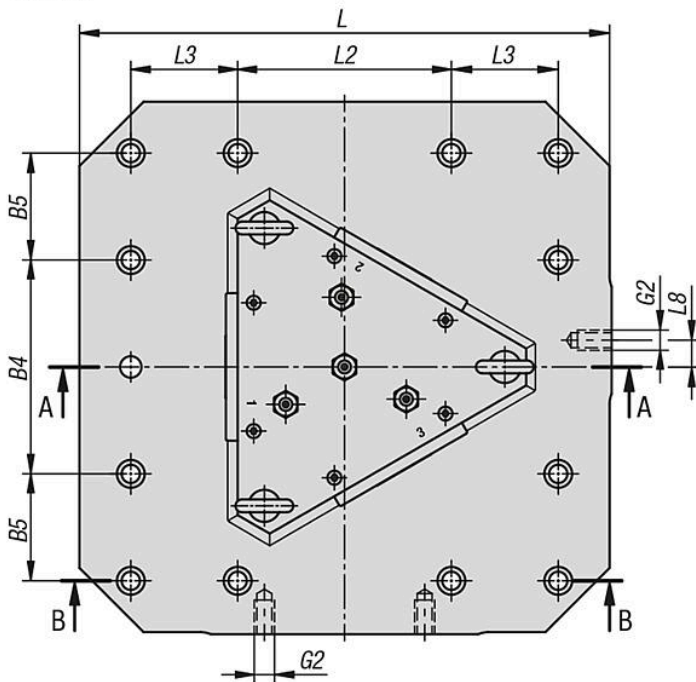
Drawing reference:

- 1) Open air port G1/8
- 2) Turbo function air port G1/8

400x400



500x500



Overview of items

Order No.	Version 1	Version 2	L	H	B	B1	B2	B3	B4	B5	B6	B7	B8	D	D1	D2
01857-10-138092004070	3-sided	with zero point clamping modules	400	713	270	111	30	11	100	160	80	150	55	50	20	25
01857-10-138092005070	3-sided	with zero point clamping modules	500	713	270	111	30	11	200	100	-	200	75	50	20	25

Order No.	G	G1	G2	H1	H2	H3	H4	H5	H6	L1	L2	L3	L4	L5	L6	L7	L8	Retraction force with turbo kN
01857-10-138092004070	M12	M16	M16	748,5	190	200	40	5,5	18	277	150	50	100	160	80	250	25	24
01857-10-138092005070	M12	M16	M16	748,5	190	200	40	5,5	18	277	200	100	-	-	-	300	25	24

