

Item description/product images



Description

Material:
Special steel

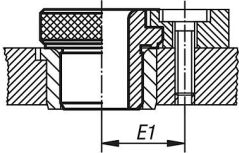
Version:
Hardened to 780 ± 40 HV 10 and ground.

Note:

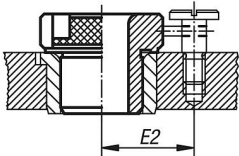
All bushes have the bore size marked on the upper face.
Form K are quick-change bushes. Dowels or coiled spring pins together with DIN 173-1 flathead screws can be used in place of the stop pin.
The bayonet mount is secured with DIN 173-1 drill bush clamps together with DIN 912 socket head screws.

$E2$ = Hole spacing when using dowels or coiled spring pins.

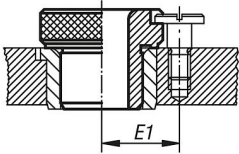
Diameter D1 over 15 mm increase in size by 0.5 mm.



Quick-change drill bush Form K
with DIN 172 bush with collar
or DIN 179 bush

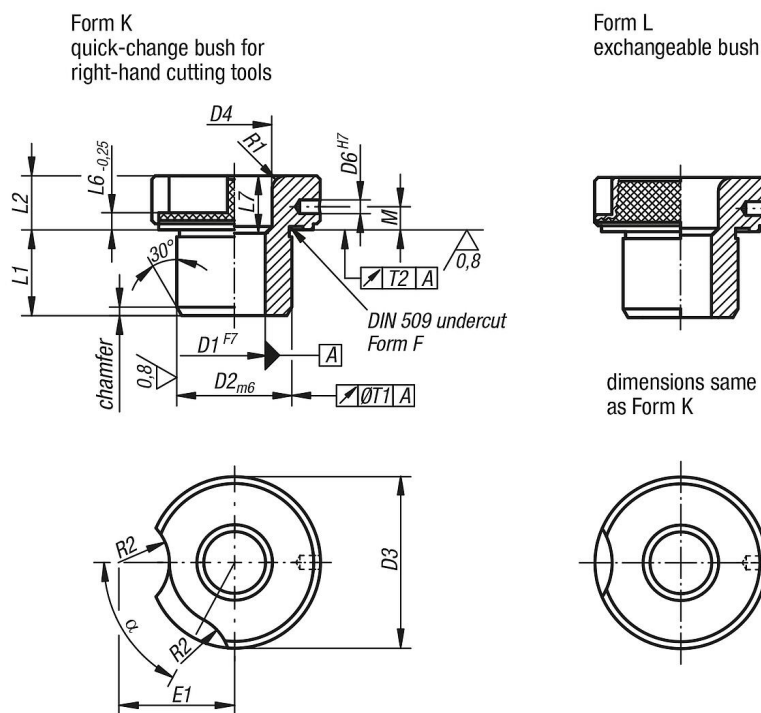


Quick-change drill bush Form K
with DIN 172 bush with collar
or DIN 179 bush



Exchangeable drill bush Form L
with DIN 172 bush with collar
or DIN 179 bush

Drawings



Overview of items

| Order No. | Form | Product type | D1 | D2 | D3 | D4 | D6 | L1 | L2 | L6 | L7 | M | T1 | T2 | R1 | R2 | E1 | E2 | α |
|----------------|------|--------------|-----|----|----|-----|-----|----|----|----|----|------|------|-------|-----|----|------|----|-----|
| 08920-K0240X10 | K | short | 2,4 | 8 | 15 | 4,5 | 2,5 | 10 | 8 | 3 | - | 4,25 | 0,02 | 0,005 | 1,5 | 7 | 11,5 | 15 | 65° |
| 08920-K0240X16 | K | medium | 2,4 | 8 | 15 | 4,5 | 2,5 | 16 | 8 | 3 | 6 | 4,25 | 0,02 | 0,005 | 1,5 | 7 | 11,5 | 15 | 65° |
| 08920-K0250X10 | K | short | 2,5 | 8 | 15 | - | 2,5 | 10 | 8 | 3 | - | 4,25 | 0,02 | 0,005 | 1,5 | 7 | 11,5 | 15 | 65° |
| 08920-K0250X16 | K | medium | 2,5 | 8 | 15 | 4,5 | 2,5 | 16 | 8 | 3 | 6 | 4,25 | 0,02 | 0,005 | 1,5 | 7 | 11,5 | 15 | 65° |
| 08920-K0260X10 | K | short | 2,6 | 8 | 15 | - | 2,5 | 10 | 8 | 3 | - | 4,25 | 0,02 | 0,005 | 1,5 | 7 | 11,5 | 15 | 65° |
| 08920-K0260X16 | K | medium | 2,6 | 8 | 15 | 4,5 | 2,5 | 16 | 8 | 3 | 6 | 4,25 | 0,02 | 0,005 | 1,5 | 7 | 11,5 | 15 | 65° |
| 08920-K0270X10 | K | short | 2,7 | 8 | 15 | - | 2,5 | 10 | 8 | 3 | - | 4,25 | 0,02 | 0,005 | 1,5 | 7 | 11,5 | 15 | 65° |
| 08920-K0270X16 | K | medium | 2,7 | 8 | 15 | 4,5 | 2,5 | 16 | 8 | 3 | 6 | 4,25 | 0,02 | 0,005 | 1,5 | 7 | 11,5 | 15 | 65° |
| 08920-K0280X10 | K | short | 2,8 | 8 | 15 | - | 2,5 | 10 | 8 | 3 | - | 4,25 | 0,02 | 0,005 | 1,5 | 7 | 11,5 | 15 | 65° |
| 08920-K0280X16 | K | medium | 2,8 | 8 | 15 | 4,5 | 2,5 | 16 | 8 | 3 | 6 | 4,25 | 0,02 | 0,005 | 1,5 | 7 | 11,5 | 15 | 65° |
| 08920-K0290X10 | K | short | 2,9 | 8 | 15 | - | 2,5 | 10 | 8 | 3 | - | 4,25 | 0,02 | 0,005 | 1,5 | 7 | 11,5 | 15 | 65° |
| 08920-K0290X16 | K | medium | 2,9 | 8 | 15 | 4,5 | 2,5 | 16 | 8 | 3 | 6 | 4,25 | 0,02 | 0,005 | 1,5 | 7 | 11,5 | 15 | 65° |
| 08920-K0300X10 | K | short | 3 | 8 | 15 | - | 2,5 | 10 | 8 | 3 | - | 4,25 | 0,02 | 0,005 | 1,5 | 7 | 11,5 | 15 | 65° |
| 08920-K0300X16 | K | medium | 3 | 8 | 15 | 4,5 | 2,5 | 16 | 8 | 3 | 6 | 4,25 | 0,02 | 0,005 | 1,5 | 7 | 11,5 | 15 | 65° |
| 08920-K0310X10 | K | short | 3,1 | 8 | 15 | - | 2,5 | 10 | 8 | 3 | - | 4,25 | 0,02 | 0,005 | 1,5 | 7 | 11,5 | 15 | 65° |
| 08920-K0310X16 | K | medium | 3,1 | 8 | 15 | 4,5 | 2,5 | 16 | 8 | 3 | 6 | 4,25 | 0,02 | 0,005 | 1,5 | 7 | 11,5 | 15 | 65° |
| 08920-K0320X10 | K | short | 3,2 | 8 | 15 | - | 2,5 | 10 | 8 | 3 | - | 4,25 | 0,02 | 0,005 | 1,5 | 7 | 11,5 | 15 | 65° |
| 08920-K0320X16 | K | medium | 3,2 | 8 | 15 | 4,5 | 2,5 | 16 | 8 | 3 | 6 | 4,25 | 0,02 | 0,005 | 1,5 | 7 | 11,5 | 15 | 65° |
| 08920-K0330X10 | K | short | 3,3 | 8 | 15 | - | 2,5 | 10 | 8 | 3 | - | 4,25 | 0,02 | 0,005 | 1,5 | 7 | 11,5 | 15 | 65° |
| 08920-K0330X16 | K | medium | 3,3 | 8 | 15 | 4,5 | 2,5 | 16 | 8 | 3 | 6 | 4,25 | 0,02 | 0,005 | 1,5 | 7 | 11,5 | 15 | 65° |
| 08920-K0340X10 | K | short | 3,4 | 8 | 15 | - | 2,5 | 10 | 8 | 3 | - | 4,25 | 0,02 | 0,005 | 1,5 | 7 | 11,5 | 15 | 65° |
| 08920-K0340X16 | K | medium | 3,4 | 8 | 15 | 4,5 | 2,5 | 16 | 8 | 3 | 6 | 4,25 | 0,02 | 0,005 | 1,5 | 7 | 11,5 | 15 | 65° |
| 08920-K0350X10 | K | short | 3,5 | 8 | 15 | - | 2,5 | 10 | 8 | 3 | - | 4,25 | 0,02 | 0,005 | 1,5 | 7 | 11,5 | 15 | 65° |
| 08920-K0350X16 | K | medium | 3,5 | 8 | 15 | 4,5 | 2,5 | 16 | 8 | 3 | 6 | 4,25 | 0,02 | 0,005 | 1,5 | 7 | 11,5 | 15 | 65° |
| 08920-K0360X10 | K | short | 3,6 | 8 | 15 | - | 2,5 | 10 | 8 | 3 | - | 4,25 | 0,02 | 0,005 | 1,5 | 7 | 11,5 | 15 | 65° |
| 08920-K0360X16 | K | medium | 3,6 | 8 | 15 | 4,5 | 2,5 | 16 | 8 | 3 | 6 | 4,25 | 0,02 | 0,005 | 1,5 | 7 | 11,5 | 15 | 65° |
| 08920-K0370X10 | K | short | 3,7 | 8 | 15 | - | 2,5 | 10 | 8 | 3 | - | 4,25 | 0,02 | 0,005 | 1,5 | 7 | 11,5 | 15 | 65° |
| 08920-K0370X16 | K | medium | 3,7 | 8 | 15 | 4,5 | 2,5 | 16 | 8 | 3 | 6 | 4,25 | 0,02 | 0,005 | 1,5 | 7 | 11,5 | 15 | 65° |
| 08920-K0380X10 | K | short | 3,8 | 8 | 15 | - | 2,5 | 10 | 8 | 3 | - | 4,25 | 0,02 | 0,005 | 1,5 | 7 | 11,5 | 15 | 65° |
| 08920-K0380X16 | K | medium | 3,8 | 8 | 15 | 4,5 | 2,5 | 16 | 8 | 3 | 6 | 4,25 | 0,02 | 0,005 | 1,5 | 7 | 11,5 | 15 | 65° |
| 08920-K0390X10 | K | short | 3,9 | 8 | 15 | - | 2,5 | 10 | 8 | 3 | - | 4,25 | 0,02 | 0,005 | 1,5 | 7 | 11,5 | 15 | 65° |
| 08920-K0390X16 | K | medium | 3,9 | 8 | 15 | 4,5 | 2,5 | 16 | 8 | 3 | 6 | 4,25 | 0,02 | 0,005 | 1,5 | 7 | 11,5 | 15 | 65° |
| 08920-K0400X10 | K | short | 4 | 8 | 15 | - | 2,5 | 10 | 8 | 3 | - | 4,25 | 0,02 | 0,005 | 1,5 | 7 | 11,5 | 15 | 65° |
| 08920-K0400X16 | K | medium | 4 | 8 | 15 | 4,5 | 2,5 | 16 | 8 | 3 | 6 | 4,25 | 0,02 | 0,005 | 1,5 | 7 | 11,5 | 15 | 65° |

Overview of items

| Order No. | Form | Product type | D1 | D2 | D3 | D4 | D6 | L1 | L2 | L6 | L7 | M | T1 | T2 | R1 | R2 | E1 | E2 | α |
|----------------|------|--------------|------|----|----|--------|----|----|----|-----|----|---|------|-------|----|------|------|----|---|
| 08920-L2550X45 | L | medium | 25,5 | 35 | 52 | D1+1,0 | 6 | 45 | 12 | 5,5 | 20 | 7 | 0,04 | 0,008 | 3 | 10,5 | 32,5 | 37 | - |
| 08920-L2550X56 | L | long | 25,5 | 35 | 52 | D1+1,0 | 6 | 56 | 12 | 5,5 | 31 | 7 | 0,04 | 0,008 | 3 | 10,5 | 32,5 | 37 | - |
| 08920-L2600X25 | L | short | 26 | 35 | 52 | - | 6 | 25 | 12 | 5,5 | - | 7 | 0,04 | 0,008 | 3 | 10,5 | 32,5 | 37 | - |
| 08920-L2600X45 | L | medium | 26 | 35 | 52 | D1+1,0 | 6 | 45 | 12 | 5,5 | 20 | 7 | 0,04 | 0,008 | 3 | 10,5 | 32,5 | 37 | - |
| 08920-L2600X56 | L | long | 26 | 35 | 52 | D1+1,0 | 6 | 56 | 12 | 5,5 | 31 | 7 | 0,04 | 0,008 | 3 | 10,5 | 32,5 | 37 | - |
| 08920-L2650X30 | L | short | 26,5 | 42 | 59 | - | 6 | 30 | 12 | 5,5 | - | 7 | 0,04 | 0,008 | 3 | 10,5 | 36 | 41 | - |
| 08920-L2650X56 | L | medium | 26,5 | 42 | 59 | D1+1,0 | 6 | 56 | 12 | 5,5 | 26 | 7 | 0,04 | 0,008 | 3 | 10,5 | 36 | 41 | - |
| 08920-L2650X67 | L | long | 26,5 | 42 | 59 | D1+1,0 | 6 | 67 | 12 | 5,5 | 37 | 7 | 0,04 | 0,008 | 3 | 10,5 | 36 | 41 | - |
| 08920-L2700X30 | L | short | 27 | 42 | 59 | - | 6 | 30 | 12 | 5,5 | - | 7 | 0,04 | 0,008 | 3 | 10,5 | 36 | 41 | - |
| 08920-L2700X56 | L | medium | 27 | 42 | 59 | D1+1,0 | 6 | 56 | 12 | 5,5 | 26 | 7 | 0,04 | 0,008 | 3 | 10,5 | 36 | 41 | - |
| 08920-L2700X67 | L | long | 27 | 42 | 59 | D1+1,0 | 6 | 67 | 12 | 5,5 | 37 | 7 | 0,04 | 0,008 | 3 | 10,5 | 36 | 41 | - |
| 08920-L2750X30 | L | short | 27,5 | 42 | 59 | - | 6 | 30 | 12 | 5,5 | - | 7 | 0,04 | 0,008 | 3 | 10,5 | 36 | 41 | - |
| 08920-L2750X56 | L | medium | 27,5 | 42 | 59 | D1+1,0 | 6 | 56 | 12 | 5,5 | 26 | 7 | 0,04 | 0,008 | 3 | 10,5 | 36 | 41 | - |
| 08920-L2750X67 | L | long | 27,5 | 42 | 59 | D1+1,0 | 6 | 67 | 12 | 5,5 | 37 | 7 | 0,04 | 0,008 | 3 | 10,5 | 36 | 41 | - |
| 08920-L2800X30 | L | short | 28 | 42 | 59 | - | 6 | 30 | 12 | 5,5 | - | 7 | 0,04 | 0,008 | 3 | 10,5 | 36 | 41 | - |
| 08920-L2800X56 | L | medium | 28 | 42 | 59 | D1+1,0 | 6 | 56 | 12 | 5,5 | 26 | 7 | 0,04 | 0,008 | 3 | 10,5 | 36 | 41 | - |
| 08920-L2800X67 | L | long | 28 | 42 | 59 | D1+1,0 | 6 | 67 | 12 | 5,5 | 37 | 7 | 0,04 | 0,008 | 3 | 10,5 | 36 | 41 | - |
| 08920-L2850X30 | L | short | 28,5 | 42 | 59 | - | 6 | 30 | 12 | 5,5 | - | 7 | 0,04 | 0,008 | 3 | 10,5 | 36 | 41 | - |
| 08920-L2850X56 | L | medium | 28,5 | 42 | 59 | D1+1,0 | 6 | 56 | 12 | 5,5 | 26 | 7 | 0,04 | 0,008 | 3 | 10,5 | 36 | 41 | - |
| 08920-L2850X67 | L | long | 28,5 | 42 | 59 | D1+1,0 | 6 | 67 | 12 | 5,5 | 37 | 7 | 0,04 | 0,008 | 3 | 10,5 | 36 | 41 | - |
| 08920-L2900X30 | L | short | 29 | 42 | 59 | - | 6 | 30 | 12 | 5,5 | - | 7 | 0,04 | 0,008 | 3 | 10,5 | 36 | 41 | - |
| 08920-L2900X56 | L | medium | 29 | 42 | 59 | D1+1,0 | 6 | 56 | 12 | 5,5 | 26 | 7 | 0,04 | 0,008 | 3 | 10,5 | 36 | 41 | - |
| 08920-L2900X67 | L | long | 29 | 42 | 59 | D1+1,0 | 6 | 67 | 12 | 5,5 | 37 | 7 | 0,04 | 0,008 | 3 | 10,5 | 36 | 41 | - |
| 08920-L2950X30 | L | short | 29,5 | 42 | 59 | - | 6 | 30 | 12 | 5,5 | - | 7 | 0,04 | 0,008 | 3 | 10,5 | 36 | 41 | - |
| 08920-L2950X56 | L | medium | 29,5 | 42 | 59 | D1+1,0 | 6 | 56 | 12 | 5,5 | 26 | 7 | 0,04 | 0,008 | 3 | 10,5 | 36 | 41 | - |
| 08920-L2950X67 | L | long | 29,5 | 42 | 59 | D1+1,0 | 6 | 67 | 12 | 5,5 | 37 | 7 | 0,04 | 0,008 | 3 | 10,5 | 36 | 41 | - |
| 08920-L3000X30 | L | short | 30 | 42 | 59 | - | 6 | 30 | 12 | 5,5 | - | 7 | 0,04 | 0,008 | 3 | 10,5 | 36 | 41 | - |
| 08920-L3000X56 | L | medium | 30 | 42 | 59 | D1+1,0 | 6 | 56 | 12 | 5,5 | 26 | 7 | 0,04 | 0,008 | 3 | 10,5 | 36 | 41 | - |
| 08920-L3000X67 | L | long | 30 | 42 | 59 | D1+1,0 | 6 | 67 | 12 | 5,5 | 37 | 7 | 0,04 | 0,008 | 3 | 10,5 | 36 | 41 | - |

Information about this article

DIN 173 replaceable drill bushes, Part 1

The DIN 173 replaceable drill bush allows you to quickly and easily change drilling diameters so that the time is used for the actual precision work and not for exchanging equipment. The practical fixture on the DIN 173 bush makes the Form K a quick-change bush for right-hand cutting tools.

Our replaceable drill bushes are hardened to 780 ± 40 HV 10 and ground and have the diameter and tolerance engraved on the upper flange face.

The replaceable bushes are especially practical when used together with a DIN 173 drill bush clamp, DIN 912 socket head screws and DIN 173 flat head screw. The bayonet lock is secured using a DIN 173-1 drill bush clamp together with a DIN 912 socket head screw.