

Item description/product images



**Description**

**Material:**

Body aluminium.  
Probe lever investment cast steel.

**Version:**

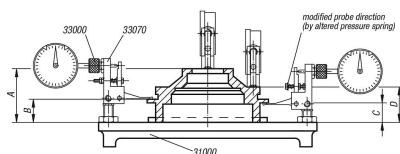
Body black anodised.  
Probe lever black oxidised.

**Note:**

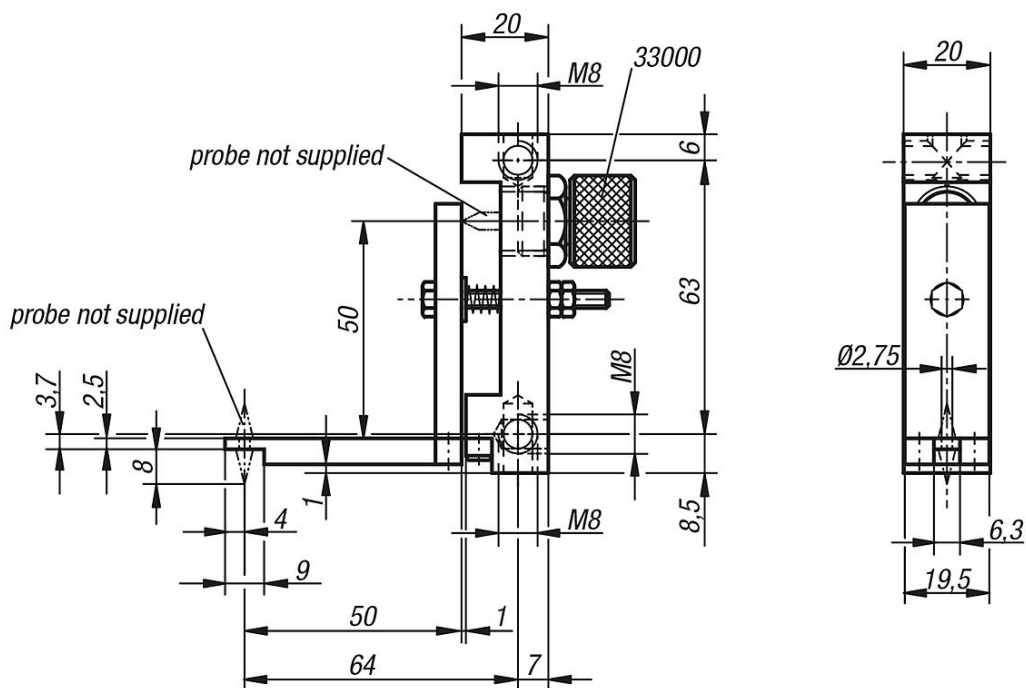
To alter the probe direction and mounting of the deflection dial gauge holder with the fastening adaptors (supplied) see technical information.

**Accessory:**

Dial gauges see 32540 and 32542.  
Probe inserts see 33040 to 33052.



Drawings



Overview of items

Order No.	Dimensions
33074-050	see drawing

