

Item description/product images



Description

Material:

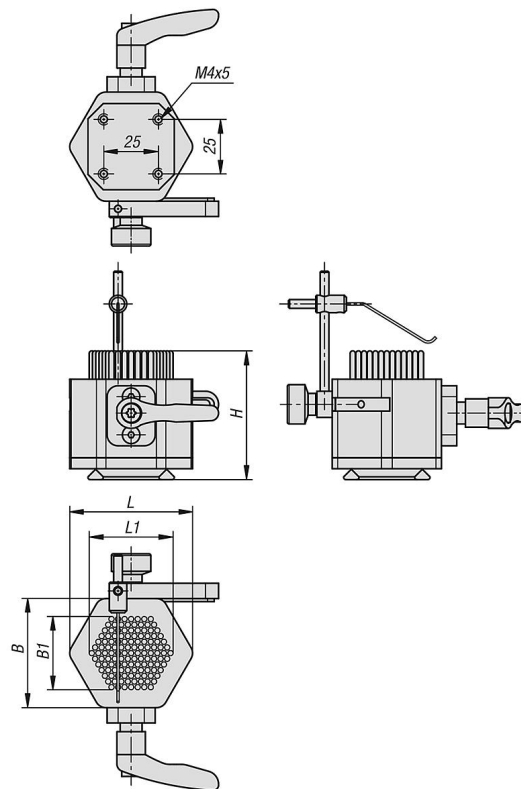
Steel.

Note:

Ideal for holding die-cast and injection moulded parts. The spring-loaded needles adapt to the shape of a workpiece when it is pushed in. The needles are then locked in this position. A series of workpieces can now be positioned and fixated in the pre-formed fixture.

Supplied are: needle support fixture and holding unit comprising of arm, column and spring finger.

Drawings



Overview of items

Order No.	B	B1	H	L	L1	Pin Ø	Spring travel max.
33227-253834	50	34	59	56	38	2,5	10
33227-505548	72	48	85,7	81	55	5	12
33227-509583	110	83	95,7	125	95	5	12