

Item description/product images



Description

Material:

Housing and hook steel.

Magnetic core NdFeB (neodymium).

Version:

Housing and hook electro zinc-plated.

Note:

Shielded system. With the permanent magnetic material NdFeB the attractive force increases by ca. 10-20 % compared with SmCo.

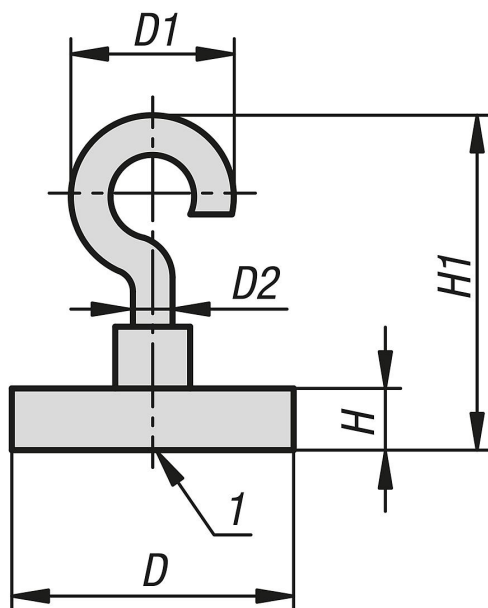
Temperature range:

max. 80°C.

Drawing reference:

1) magnetic face

Drawings



Overview of items

Order No.	D	D1	D2	H	H1	Magnetic force N
09069-10-10	10	10	3	4,5	24	25
09069-10-13	13	10	3	4,5	24	60
09069-10-16	16	13	3,5	4,5	27	95
09069-10-20	20	13	3,5	6	27,5	140
09069-10-25	25	13	3,5	7	28	200
09069-10-32	32	18,5	4,5	7	38	350

