

Item description/product images



Description

Material:

Housing, steel.

Magnetic core NdFeB (neodym).

Version:

Housing, electro zinc-plated.

Note:

Shielded system. With the permanent magnetic material NdFeB the attractive force increases by ca. 10-20 % compared with SmCo.

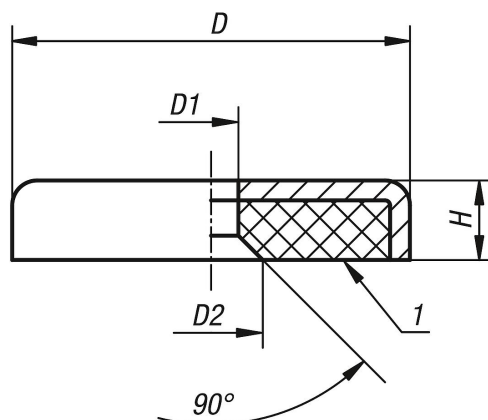
Temperature range:

max. 80°C.

Drawing reference:

1) magnetic face

Drawings



Overview of items

Order No.	D	D1	D2	H	Magnetic force N
09071-30-13	13	3,5	6,6	4,5	40
09071-30-16	16	3,5	6,6	4,5	75
09071-30-20	20	4,5	9	6	105
09071-30-25	25	4,5	9	7	160
09071-30-32	32	5,5	11	7	310
09071-30-40	40	5,5	10,6	8	500