

Item description/product images



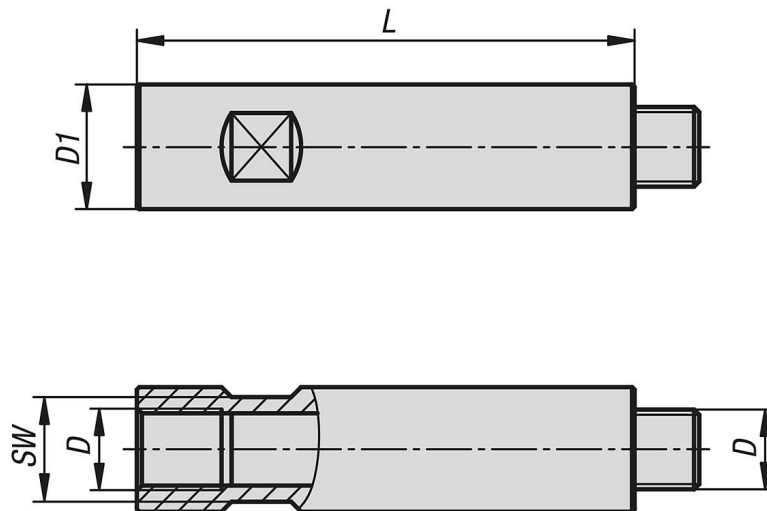
Description

Material:
Steel.

Note:

The extension shafts extend the adjustment range.
They are mounted with the clamping ball between the workpiece stabiliser and the fastening set.

Drawings



Overview of items

Order No.	Size	D	D1	L	SW	weight kg
02401-1625075	25	M16x1,5	25	75	21	0,233
02401-1625100	25	M16x1,5	25	100	21	0,293
02401-1625150	25	M16x1,5	25	150	21	0,416
02401-1625250	25	M16x1,5	25	250	21	0,697
02401-1625500	25	M16x1,5	25	500	21	1,3
02401-2750100	50	M27x2	40	100	36	0,726
02401-2750150	50	M27x2	40	150	36	1,04
02401-2750250	50	M27x2	40	250	36	1,623
02401-2750500	50	M27x2	40	500	36	3,12