

Item description/product images

**Description****Material:**

Carbon steel.

Version:

Tempered and black oxidised.

Note:

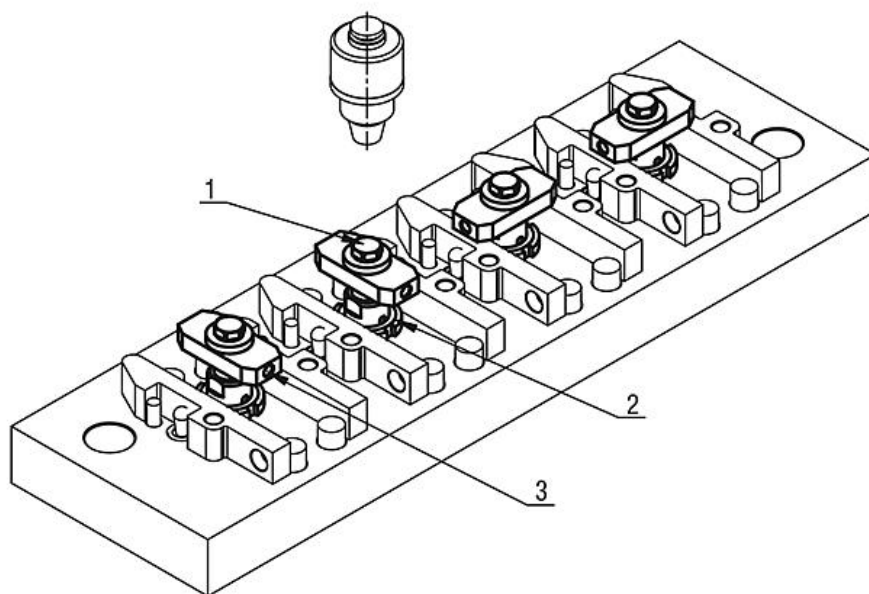
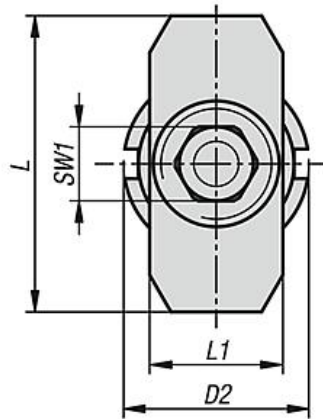
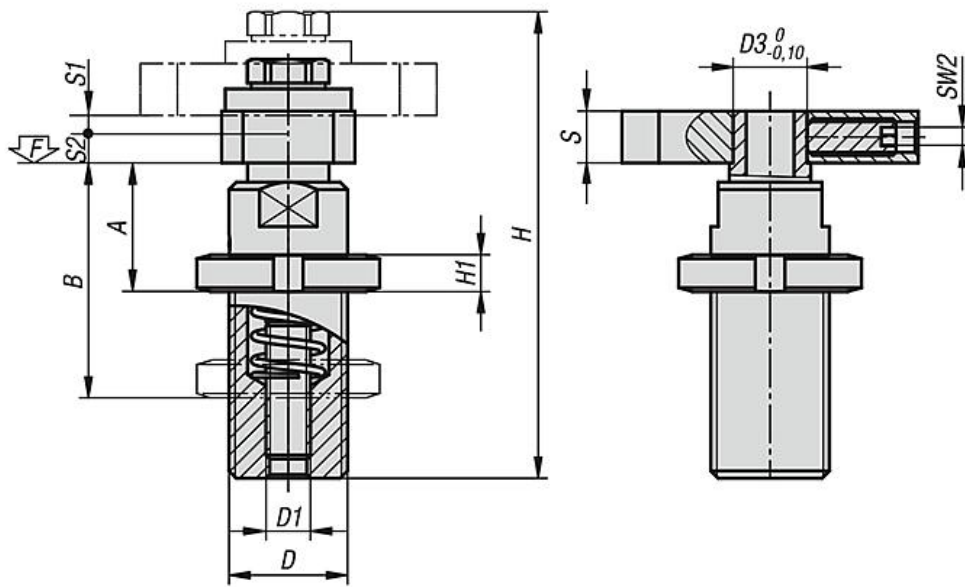
The double-sided clamp straps are ideal for series clamping. For special applications, the clamping flange can be replaced with another clamping flange by loosening the clamping screw. The clamping flange must always have a contact point on both sides.

Functional principle:

1. Use a hand-held or electric tool to tighten the hexagon head bolt (make sure that the maximum tightening torque is not exceeded). When clamping, the clamping flange automatically turns by quarter of a rotation and starts the clamping stroke.
2. Use reverse procedure to loosen the hexagon head bolt. The clamping flange automatically returns to its starting position (the set screw can be used to change the position of the clamping flange).

Drawing reference:

- 1) Hexagon head bolt
- 2) Slotted round nut
- 3) Set screw



Overview of items

Order No.	D	D1	D2	D3	A	B	H	H1	L	L1	S	S1	S2	SW1	SW2	Tightening torque max. Nm	F max. kN
04191-1640	M16x1	M6	25	10	15	25	61	5	40	18	7	4,5	2,5	10	2,5	10,4	8,97
04191-2460	M24x2	M8	36	14	22	35	87	7	60	28	9	6	4	13	3	25,3	16,5