

## Item description/product images

**Description****Material:**

Steel 1.7225.

**Version:**

Electro zinc-plated and passivated.

**Note:**

Levelling sets with spherical compensation plate are used wherever heavy systems, machines and equipment need to be set up and aligned. The compensation plate permits exact alignment when mounting on sloping surfaces of up to 4°. They are characterised by a wide adjustment range of 15 mm to 50 mm. The static load F applies after deduction of the load applied by the fastening screw.

**Assembly:**

These levelling sets are mounted on the machine or similar using a fastening screw (1). The upper part (2) is thus firmly connected to the machine or equipment. The height is adjusted by turning the lower part (3) using a hook wrench. A stop (4) prevents the upper part from being screwed out too far; it is also decisive for the maximum height adjustment ( $\Delta H$ ). The compensation plate (5) is joined to the lower part and can compensate for inclined surfaces of up to 4°. The special design ensures the compensation plate (5) cannot be separated from the lower part (3), so forming a unit with the lower part.

**On request:**

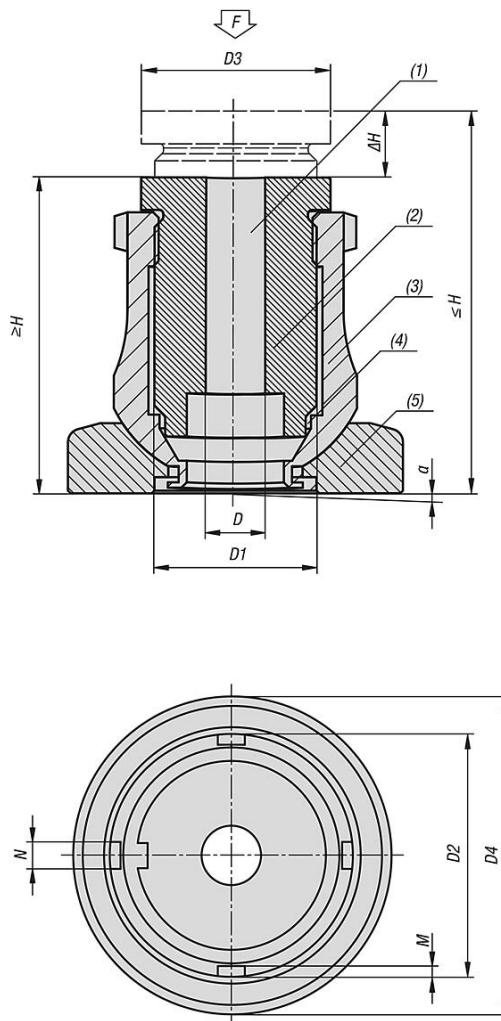
Other sizes.

Stainless steel A1 or A4 levelling sets.

**Accessory:**

96650 Hook wrench with lug, DIN 1810A enhanced.

Drawings



Overview of items

Order No.	D	D1	D2	D3	D4	H min.	H max.	ΔH	M	N	F kN	α	for screw
27709-10-1506	6,6	M15x1	25	19	34	36	51	15	2	4	45	4°	M6
27709-10-2008	9	M20x1	32	24	44	44	64	20	2	4	75	4°	M8
27709-10-2510	11	M30x1,5	45	35	62	58	83	25	2	5	140	4°	M10
27709-10-3212	13,5	M40x1,5	58	45	80	76	108	32	2,5	6	210	4°	M12
27709-10-4016	17,5	M50x1,5	70	55	95	86	126	40	2,5	6	400	4°	M16
27709-10-5020	22	M60x2	80	65	110	104	154	50	3	7	520	4°	M20