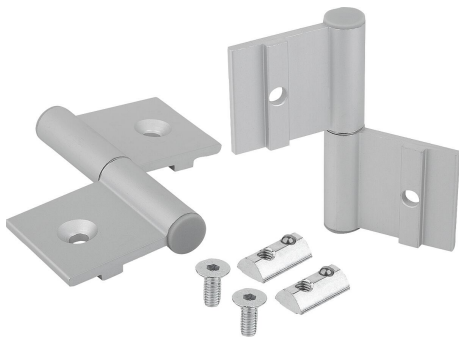


Item description/product images



Description

Material:

Hinges aluminium.

Pin stainless steel.

End cap fibreglass reinforced thermoplastic.

Version:

Hinge anodised.

Pins bright.

End cap white aluminium.

Note:

Hinge for panel elements and aluminium profiles, lift-off type

Hinges can be assembled left or right.

360° rotation.

The loading values given for the hinges are non-binding reference values without consideration of safety factors and exclude any liability. The values given are for information purposes only and do not constitute a legally binding assurance of properties.

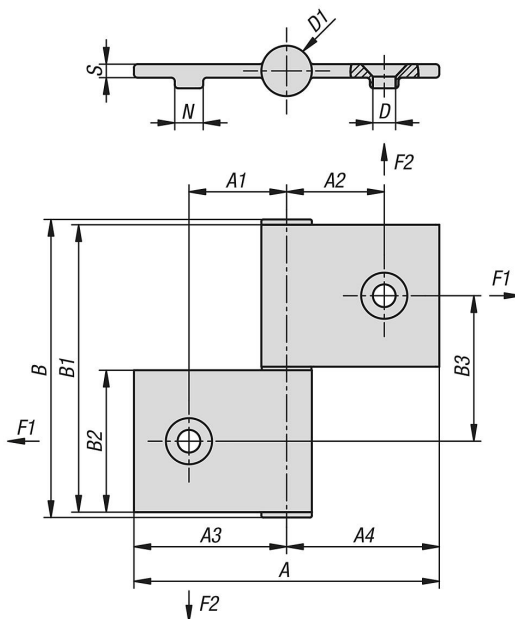
These load values were determined under laboratory conditions. Each user must determine individually whether the hinge is suitable for the respective application. Different materials onto which the hinges are installed and the type of mounting, weather conditions and wear can influence the determined values.

Mounting set:

2x DIN 7991 / ISO 10642 countersunk screw with hex socket.

2x Twist-in slot nuts, keyed, type I.

Drawings



Overview of items

Order No.	Form definition	Type	A	A1	A2	A3	A4	B	B1	B2	B3	D	D1	N	S	F1 N	F2 N
27869-86840	-	B & I	86	27,5	27,5	43	43	84	81	40	41	6,1	14,2	8	3,8	200	200
27869-86841	with mounting set	I	86	27,5	27,5	43	43	84	81	40	41	6,1	14,2	8	3,8	200	200