

Item description/product images

**Description****Material:**

Stainless steel

Version:

Hardened.

Note:

Colour may differ from image due to curing process.

Type of operation:

Screw the clamping pin into the thread and tighten. See assembly drawing.

Accessory:

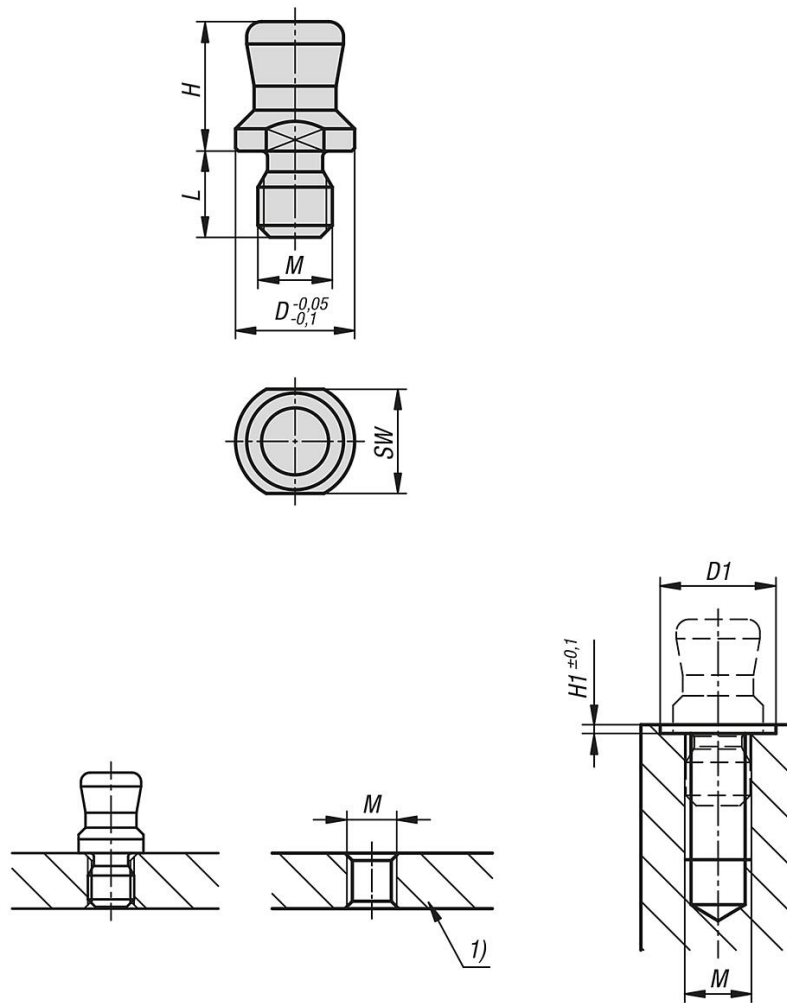
Locating fixture round 03161-15.

Locating fixture flange 03161-16.

Drawing reference:

1) plate

Drawings



Overview of items

Order No.	D	D1	H	H1	L	M	SW
03192-25-16	6	7	7,6	0,5	5,8	M04X0,7	5
03192-25-18	8	9	8,7	0,5	5,8	M05X0,8	7