

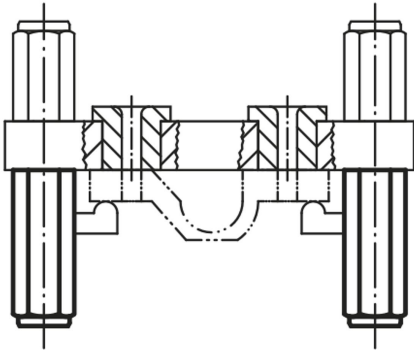
Item description/product images



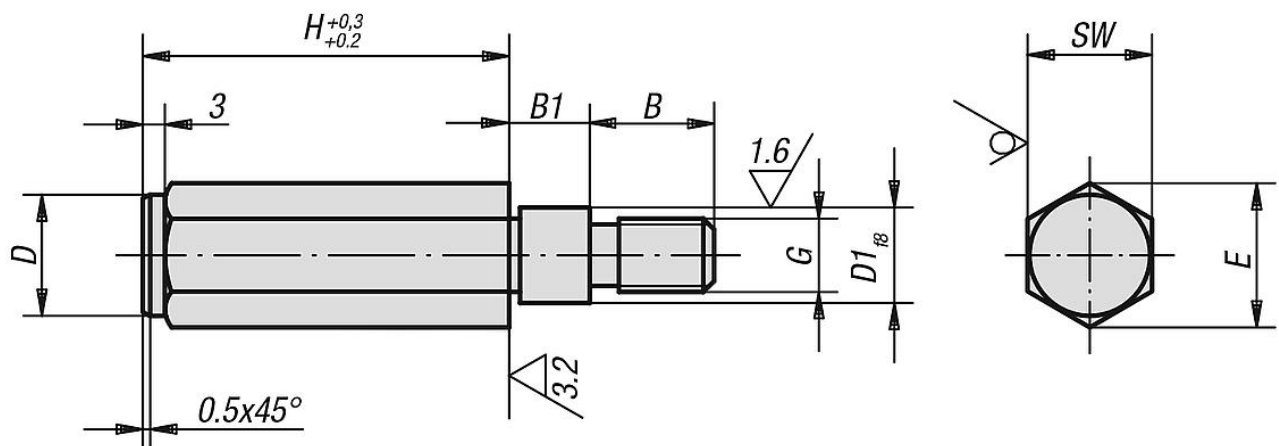
Description

Material:
Carbon steel 1.1181.

Version:
Black oxidised.



Drawings



Overview of items

Order No.	B	B1	D	D1	G	H	E	SW
02050-10X	17	11	16,5	11	M10	50/75/100	19,5	17
02050-12X	17	18	18,5	13	M12	50/75/100/125	21,5	19