

Item description/product images



Description

Material:

Handle tube EN AW-6060.
 Mounting bracket EN AW-6063.
 End caps thermoplastic.
 Grub screw ISO 4766-14H.

Version:

Version A:

Handle tube anodized natural colour.
 Mounting bracket anodized natural colour.
 End piece (handle tube) black.
 End cap (mounting bracket) light grey.

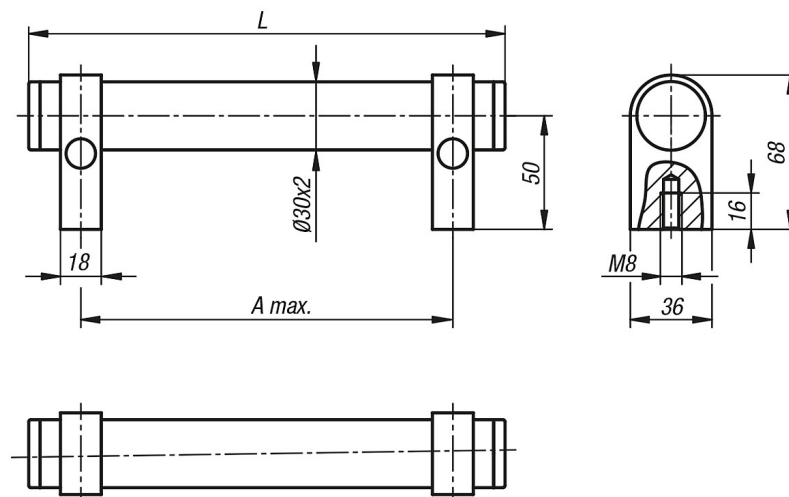
Version B:

Handle tube anodized natural colour.
 Mounting bracket anodized black.
 End piece (handle tube) black.
 End cap (mounting bracket) black.

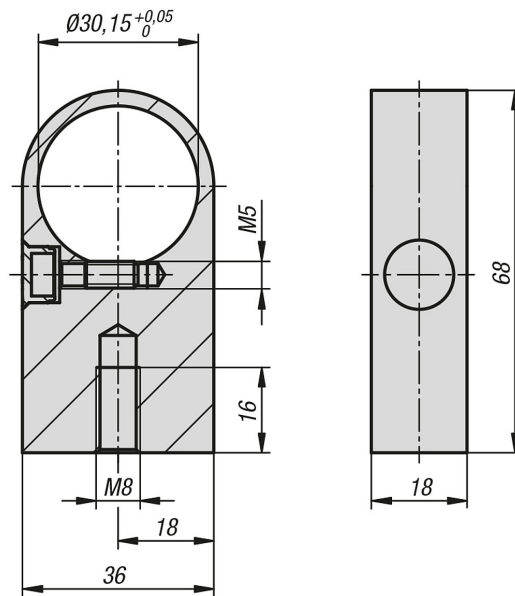
Note:

The adjustable tubular handles are supplied unassembled.
 The centre distance for the tubular handles can be freely determined.
 The recommended maximum centre distance can be found in the table under A max.
 Additional mounting brackets can be included for long handle lengths or high loads.
 The mounting brackets are supplied unassembled.

Drawings



Drawings



Overview of items

Tubular handles adjustable

| Order No. | Version | L | A max. |
|---------------|---------|-----|--------|
| 06947-2503011 | A | 250 | 220 |
| 06947-3003011 | A | 300 | 270 |
| 06947-4003011 | A | 400 | 370 |
| 06947-5003011 | A | 500 | 470 |
| 06947-6003011 | A | 600 | 570 |
| 06947-2503012 | B | 250 | 220 |
| 06947-3003012 | B | 300 | 270 |
| 06947-4003012 | B | 400 | 370 |
| 06947-5003012 | B | 500 | 470 |
| 06947-6003012 | B | 600 | 570 |

Mounting brackets

| Order No. | Version |
|-------------|---------|
| 06947-08301 | A |
| 06947-08302 | B |