

Item description/product images



Description

Material:

Steel 1.0037.
Aluminium EN AW-6060.

Version:

Steel electro zinc-plated.
Aluminium anodised.

Note:

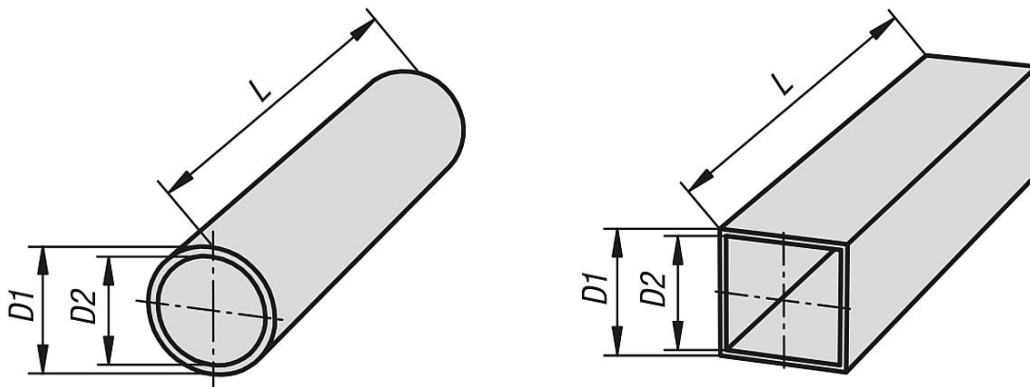
The machined tolerances of these round and square tubes are individually matched to the tube clamping system.

*Square aluminium size 10x10 are only available as solid bars.

On request:

- Custom cut length (L max. 5000 mm)
- Stainless steel tube (L max. 3000 mm)

Drawings



Overview of items

Order No.	Item	Main material	Description	D1	D2	L
29050-0112X	Round tube	steel	Ø12 x 1,5	12 ±0,1	9	500/1000/2000
29050-0114X	Round tube	steel	Ø14 x 1,5	14 ±0,1	11	500/1000/2000
29050-0115X	Round tube	steel	Ø15 x 1,5	15 ±0,1	12	500/1000/2000
29050-0116X	Round tube	steel	Ø16 x 1,5	16 ±0,1	13	500/1000/2000
29050-0118X	Round tube	steel	Ø18 x 1,5	18 ±0,1	15	500/1000/2000
29050-0120X	Round tube	steel	Ø20 x 2	20 ±0,1	16	500/1000/2000
29050-0125X	Round tube	steel	Ø25 x 2	25 ±0,1	21	500/1000/2000
29050-0130X	Round tube	steel	Ø30 x 2	30 ±0,1	26	500/1000/2000
29050-0140X	Round tube	steel	Ø40 x 4	40 ±0,15	32	500/1000/2000
29050-0150X	Round tube	steel	Ø50 x 4	50 ±0,2	42	500/1000/2000
29050-0220X	Round tube	aluminium	Ø20 x 3	20 ±0,1	14	500/1000/2000
29050-0230X	Round tube	aluminium	Ø30 x 2	30 ±0,1	26	500/1000/2000
29050-0240X	Round tube	aluminium	Ø40 x 3	40 ±0,15	34	500/1000/2000
29050-0250X	Round tube	aluminium	Ø50 x 3	50 ±0,2	44	500/1000/2000

Overview of items

Order No.	Item	Main material	Description	D1	D2	L
29050-4120X	Square Tube	steel	20 x 20 x 1	20 ±0,3	18	500/1000/2000
29050-4125X	Square Tube	steel	25 x 25 x 1,5	25 ±0,3	22	500/1000/2000
29050-4130X	Square Tube	steel	30 x 30 x 2	30 ±0,3	26	500/1000/2000
29050-4140X	Square Tube	steel	40 x 40 x 3	40 ±0,4	34	500/1000/2000
29050-4210X	Square Tube	aluminium	10 x 10	10*	-	500/1000/2000
29050-4220X	Square Tube	aluminium	20 x 20 x 1,5	20 ±0,2	17	500/1000/2000
29050-4230X	Square Tube	aluminium	30 x 30 x 2	30 ±0,2	26	500/1000/2000
29050-4240X	Square Tube	aluminium	40 x 40 x 4	40 ±0,3	32	500/1000/2000