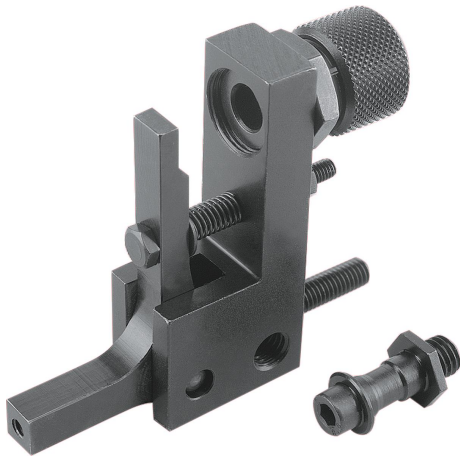


## Item description/product images



### Description

**Material:**

Steel.

**Version:**

Black oxidised.

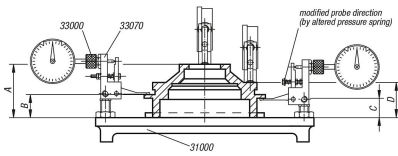
**Note:**

To alter the probe direction and mounting of the deflection dial gauge holder with the fastening adaptors (supplied) see technical information.

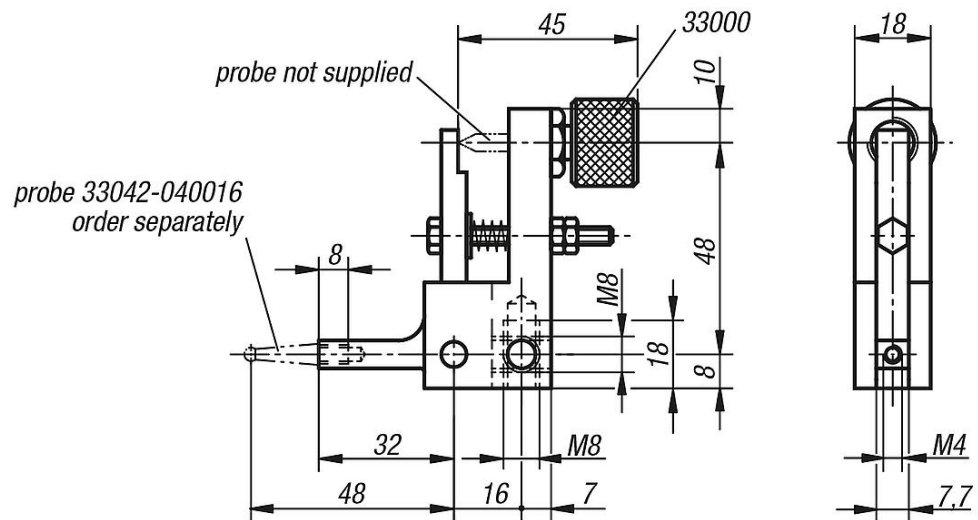
**Accessory:**

Dial gauges see 32540 and 32542.

Probe inserts see 33042-040016.



## Drawings



## Overview of items

Order No.	Dimensions
33072-048	see drawing