

Item description/product images

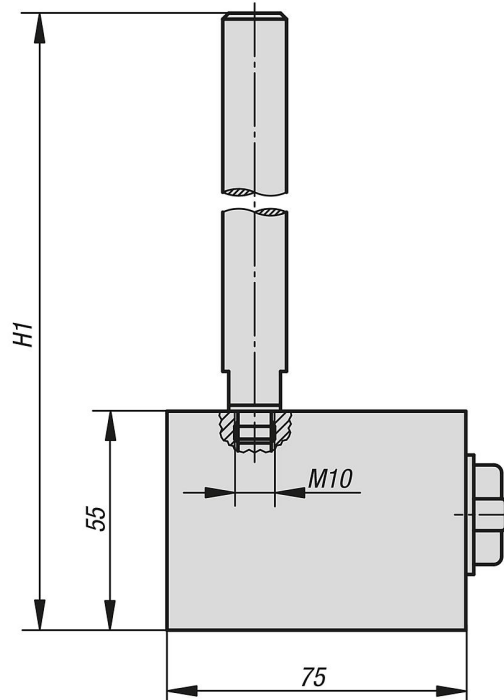


Description

Note:

Magnetic base with On/Off switch (see also 09210-03)

Drawings



Overview of items

Order No.	H1=Total height	Ø column	Column height	Magnetic base length	Magnetic base width	Magnetic base height	Connecting thread	Magnetic force N
31120-01	305	16	250	75	50	55	M10	900

