

## Description

### Material:

Handle die-cast zinc DIN EN 12844.  
Steel parts grade 5.8.

### Version:

Handle powder-coated.  
Steel parts trivalent blue-passivated.

### Note:

Standard colours are:  
orange RAL 2004, silver metallic.

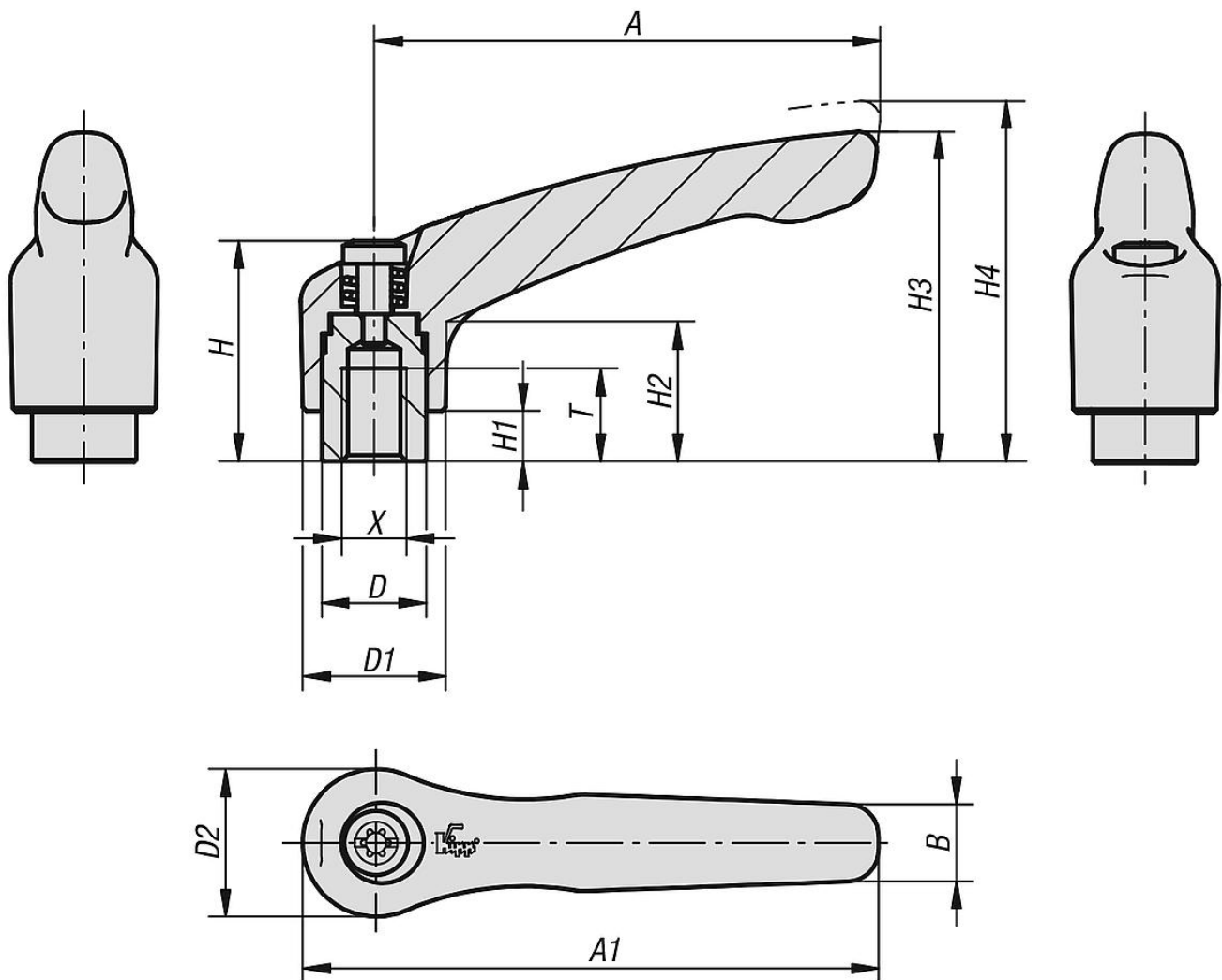
### On request:

Other threads, colours and special versions.  
Dimension "H1" available in other lengths at extra charge.



lift to  
disengage





Overview of items

Order No.	Main colour	Surface finish body	Size	X	T	D	D1	D2	H	H1	H2	H3	H4	A	A1	B	No. of teeth
06450-05-0032	orange RAL 2004	plastic-coated	0	M3	9	10	13	14	24,5	4	14,5	30	33	30	37	7	16
06450-05-0033	silver metallic	plastic-coated	0	M3	9	10	13	14	24,5	4	14,5	30	33	30	37	7	16
06450-05-0042	orange RAL 2004	plastic-coated	0	M4	9	10	13	14	24,5	4	14,5	30	33	30	37	7	16
06450-05-0043	silver metallic	plastic-coated	0	M4	9	10	13	14	24,5	4	14,5	30	33	30	37	7	16
06450-05-0052	orange RAL 2004	plastic-coated	0	M5	9	10	13	14	24,5	4	14,5	30	33	30	37	7	16
06450-05-0053	silver metallic	plastic-coated	0	M5	9	10	13	14	24,5	4	14,5	30	33	30	37	7	16
06450-05-1042	orange RAL 2004	plastic-coated	1	M4	9	10	13	14	24,5	4	14,5	31	34	40	47	7	16
06450-05-1043	silver metallic	plastic-coated	1	M4	9	10	13	14	24,5	4	14,5	31	34	40	47	7	16
06450-05-1052	orange RAL 2004	plastic-coated	1	M5	9	10	13	14	24,5	4	14,5	31	34	40	47	7	16
06450-05-1053	silver metallic	plastic-coated	1	M5	9	10	13	14	24,5	4	14,5	31	34	40	47	7	16
06450-05-1062	orange RAL 2004	plastic-coated	1	M6	9	10	13	14	24,5	4	14,5	31	34	40	47	7	16
06450-05-1063	silver metallic	plastic-coated	1	M6	9	10	13	14	24,5	4	14,5	31	34	40	47	7	16
06450-05-2062	orange RAL 2004	plastic-coated	2	M6	12	13,5	18,5	19	28,5	6,5	17,5	42,5	45,5	65	74,5	9,5	20
06450-05-2063	silver metallic	plastic-coated	2	M6	12	13,5	18,5	19	28,5	6,5	17,5	42,5	45,5	65	74,5	9,5	20
06450-05-2082	orange RAL 2004	plastic-coated	2	M8	12	13,5	18,5	19	28,5	6,5	17,5	42,5	45,5	65	74,5	9,5	20
06450-05-2083	silver metallic	plastic-coated	2	M8	12	13,5	18,5	19	28,5	6,5	17,5	42,5	45,5	65	74,5	9,5	20
06450-05-3082	orange RAL 2004	plastic-coated	3	M8	14	16	21	22	37	10	24	54,5	58,5	80	91	11	22
06450-05-3083	silver metallic	plastic-coated	3	M8	14	16	21	22	37	10	24	54,5	58,5	80	91	11	22
06450-05-3102	orange RAL 2004	plastic-coated	3	M10	14	16	21	22	37	10	24	54,5	58,5	80	91	11	22
06450-05-3103	silver metallic	plastic-coated	3	M10	14	16	21	22	37	10	24	54,5	58,5	80	91	11	22
06450-05-4102	orange RAL 2004	plastic-coated	4	M10	17	19	27	27,5	43	10	27	63	67,5	95	109	13	24

Overview of items

Order No.	Main colour	Surface finish body	Size	X	T	D	D1	D2	H	H1	H2	H3	H4	A	A1	B	No. of teeth
06450-05-4103	silver metallic	plastic-coated	4	M10	17	19	27	27,5	43	10	27	63	67,5	95	109	13	24
06450-05-4122	orange RAL 2004	plastic-coated	4	M12	17	19	27	27,5	43	10	27	63	67,5	95	109	13	24
06450-05-4123	silver metallic	plastic-coated	4	M12	17	19	27	27,5	43	10	27	63	67,5	95	109	13	24
06450-05-5122	orange RAL 2004	plastic-coated	5	M12	23	23	31	32	49	12	31,5	73	77,5	110	126	15	26
06450-05-5123	silver metallic	plastic-coated	5	M12	23	23	31	32	49	12	31,5	73	77,5	110	126	15	26
06450-05-5162	orange RAL 2004	plastic-coated	5	M16	23	23	31	32	49	12	31,5	73	77,5	110	126	15	26
06450-05-5163	silver metallic	plastic-coated	5	M16	23	23	31	32	49	12	31,5	73	77,5	110	126	15	26