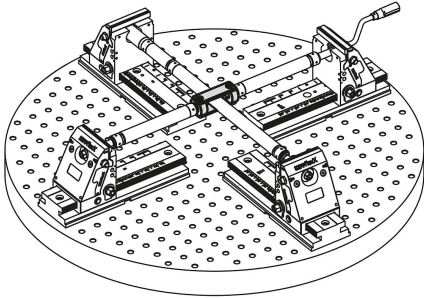


## Item description/product images



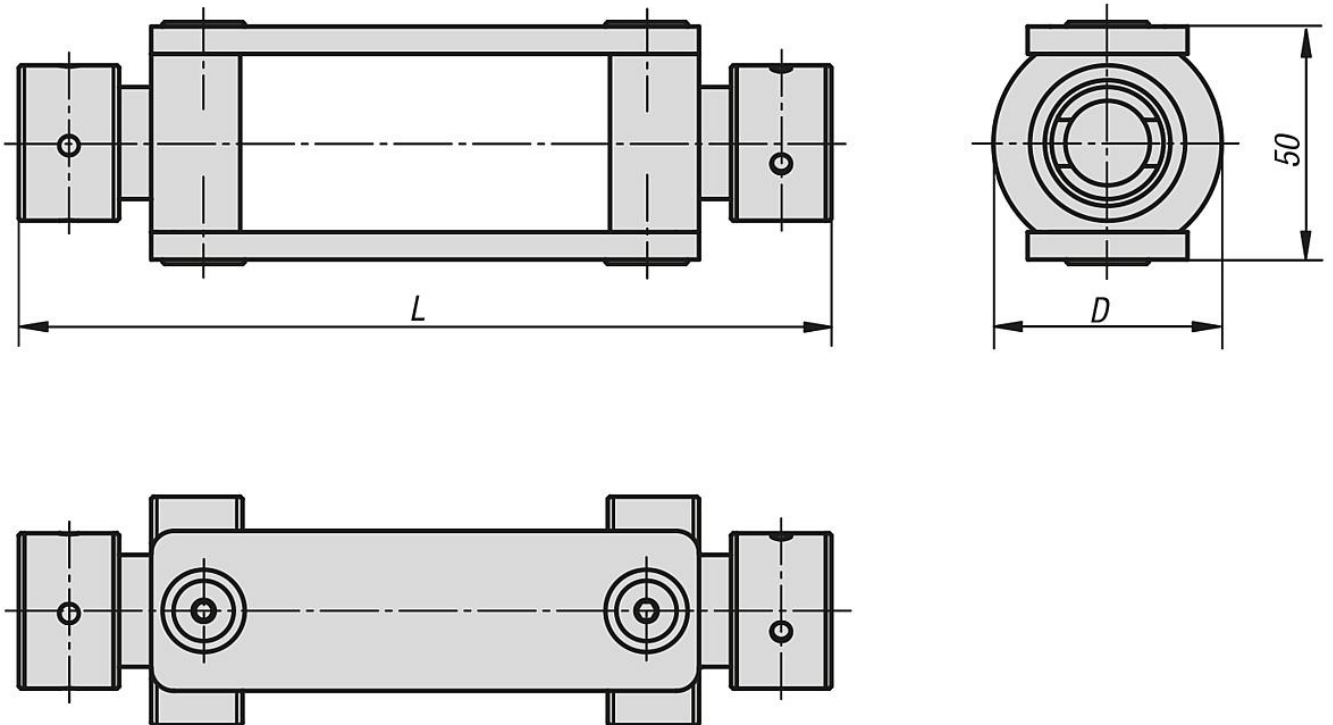
### Description

**Material:**  
Carbon steel.

**Version:**  
Black oxidised.

**Note:**  
With the coupling for cross-clamping, two 5-axis clamping systems compact / KIPPFlexX can be connected with each other.  
This enables workpieces to be clamped from four sides.  
To enable the coupling for cross-clamping to be precisely centred on the transverse spindle, a threaded spindle and a spindle nut is required for each end.  
These items must be ordered separately as accessories under the following numbers:  
Threaded spindle NLM 41400-999.008  
Spindle nut NLM 41010-999.003

## Drawings



## Overview of items

### Couplings for cross-clamping

| Order No. | D  | L   |
|-----------|----|-----|
| 41365-178 | 50 | 178 |

